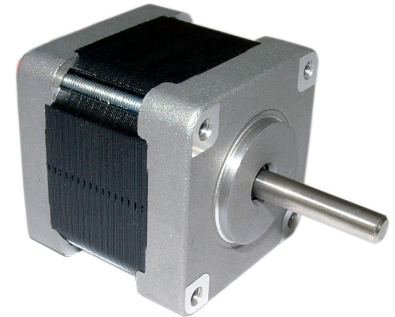


# 1.8° 39mm Hybrid Stepper Motor

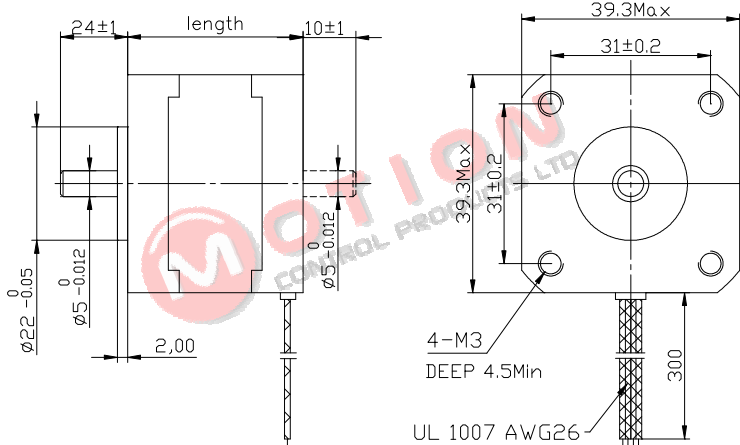
Item	Specifications
Step Angle	1.8°
Step Angle Accuracy	±5% (full step, no load)
Resistance Accuracy	±10%
Inductance Accuracy	±20%
Temperature Rise	80°C Max. (rated current, 2 phase on)
Ambient Temperature	-20°C - +50°C
Insulation Resistance	100MΩMin., 500VDC
Dielectric Strength	500VAC for one minute
Shaft Radial Play	0.02Max. (450 g-load)
Shaft Axial Play	0.08Max. (450 g-load)
Max. radial force	28N (20mm from the flange)
Max. axial force	10N
Rotation	CW (see from front flange)



## Specifications

Model No	Rated Voltage (V)	Current /Phase (A)	Resistance /Phase (Ω)	Inductance /Phase (mH)	Holding Torque g-cm	# of Leads	Rotor Inertia (g-cm <sup>2</sup> )	Detent Torque g-cm	Weight (kg)	Motor Length (mm)	Shaft
FL39ST20-0404A	2.64	4	66	75	650	4	11	50	0.12	20	Single
FL39ST20-0506A	6.5	5	13	75	800	6	11	50	0.12	20	Single
FL39ST34-0604A	9	0.6	15	16	2200	4	20	120	0.18	34	Single
FL39ST34-0166A	12	0.16	75	46	1000	6	20	120	0.18	34	Single
FL39ST34-0404A	12	0.4	30	32	2100	4	20	120	0.18	34	Single
FL39ST38-0806A	6	0.8	7.5	6	2000	6	24	180	0.20	38	Single

## Dimension



## Wiring Diagram

