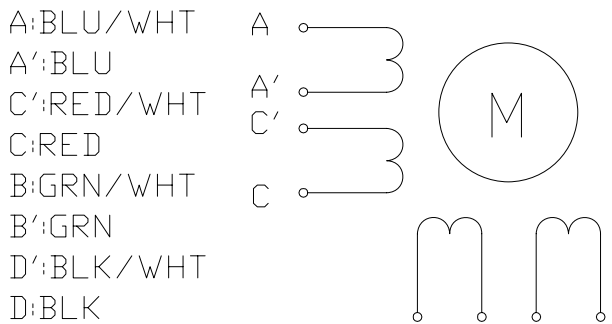


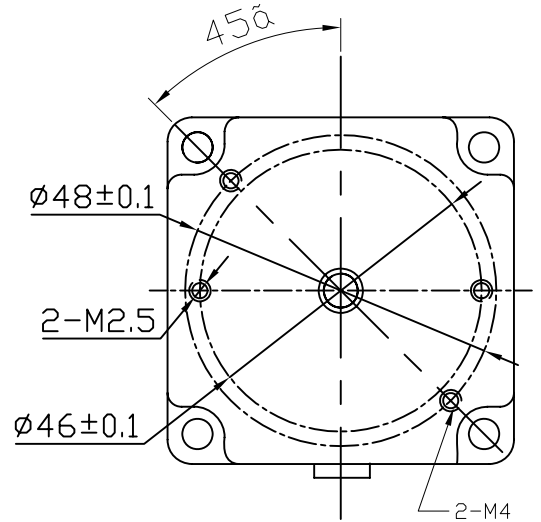
specifications:

PHASE	STEP ANGLE	RATED VOLTAGE	CURRENT /PHASE	RESISTANCE /PHASE	INDUCTANCE /PHASE	HOLDING TORQUE	ROTOR INERTIA	WEIGHT
	DEG/STEP	V	A	ohms	mH	kgf-cm	gcm ²	Kg
unipolar	1.8	2.2	3.0	0.74	0.9	7.2	275	0.65
bipolar(s)	1.8	3.1	2.1	1.48	3.6	10.1	275	0.65
bipolar(p)	1.8	1.55	4.2	0.37	0.9	10.1	275	0.65

Wiring Diagram:

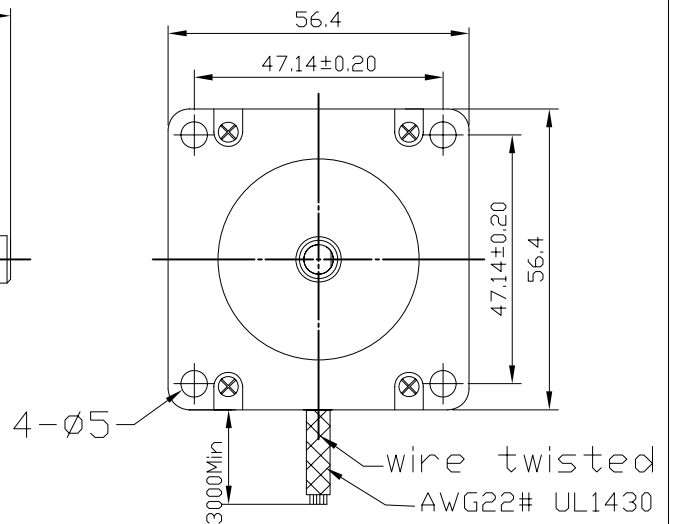
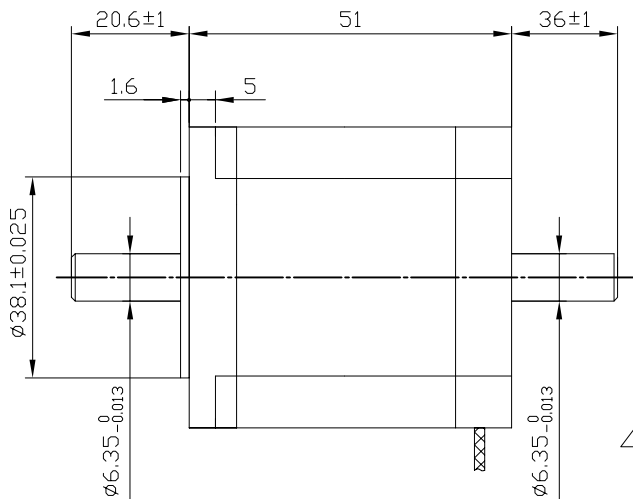


CW DIRECTION	STEP	A C'	C A'	B D'	D B'
↓	1	+		+	
	2		+	+	
	3		+		+
	4	+			+
	1	+		+	



CW direction, see from the shaft end

Dimension:



REV	ECN NO.	DESCRIPTION	DRN	APP'D	DATE	DESIGN	DATE	P/N.
UNLESS OTHERWISE SPECIFIED TOLERANCES: DECIMALS: .x ±0.5 .xx ±0.25 .xxx ±0.1 ANGULAR: ±0°30' UNIT: mm DO NOT SCALE DRAWING						CHECK		TITLE Specifications
						APPD		USED ON FL57STH51-3008B-1
THIRD ANGLE PROJECTION 						SCALE		DWG NO. FX3.162.1447SS
						SHEET	OF	REV
						Motion Control Products Ltd		