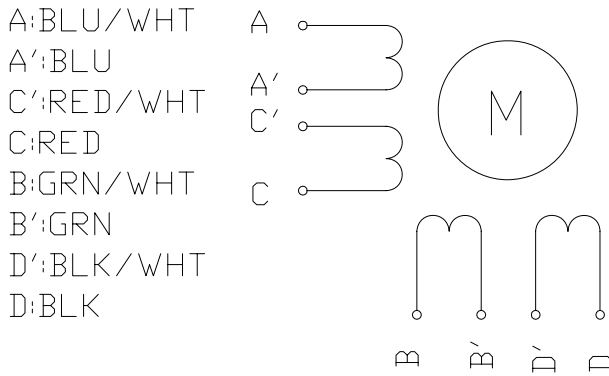


specifications:

PHASE	STEP ANGLE	RATED VOLTAGE	CURRENT /PHASE	RESISTANCE /PHASE	INDUCTANCE /PHASE	HOLDING TORQUE	ROTOR INERTIA	WEIGHT
	DEG/STEP	V	A	ohms	mH	Nm	gcm ²	Kg
unipolar	1.8	2.3	3.0	0.75	1.1	0.88	300	0.7
bipolar(s)	1.8	3.15	2.1	1.5	4.4	1.24	300	0.7
bipolar(p)	1.8	1.575	4.2	0.375	1.1	1.24	300	0.7

Wiring Diagram:

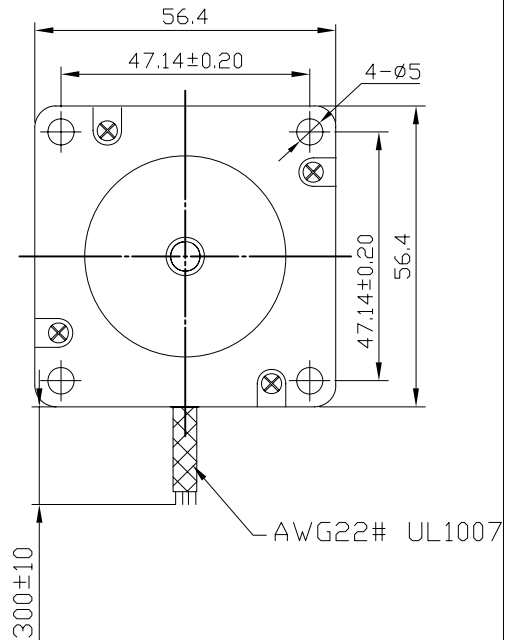
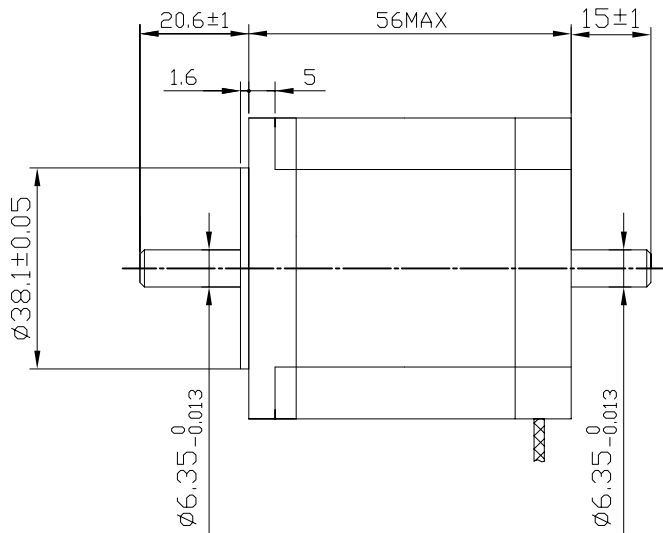


Rotation:

CW DIRECTION	STEP	A C'	C A'	B D'	D B'
↓	1	+		+	
	2		+	+	
	3		+		+
	4	+			+
	1	+		+	

CW direction, see from the shaft end

Dimension:



REV	ECN NO.	DESCRIPTION	DRN	APP'D	DATE	DESIGN	DATE	P/N.				
UNLESS OTHERWISE SPECIFIED TOLERANCES: DECIMALS: .x ±0.5 .xx ±0.25 .xxx ±0.1 UNIT: mm DO NOT SCALE DRAWING						MATERIAL			CHECK		TITLE	Specifications
						THIRD ANGLE PROJECTION			APPD		USED ON	FL57STH56-3008B
									SCALE		DWG NO.	FX3.162.
									SHEET	OF	Motion Control Products Ltd	