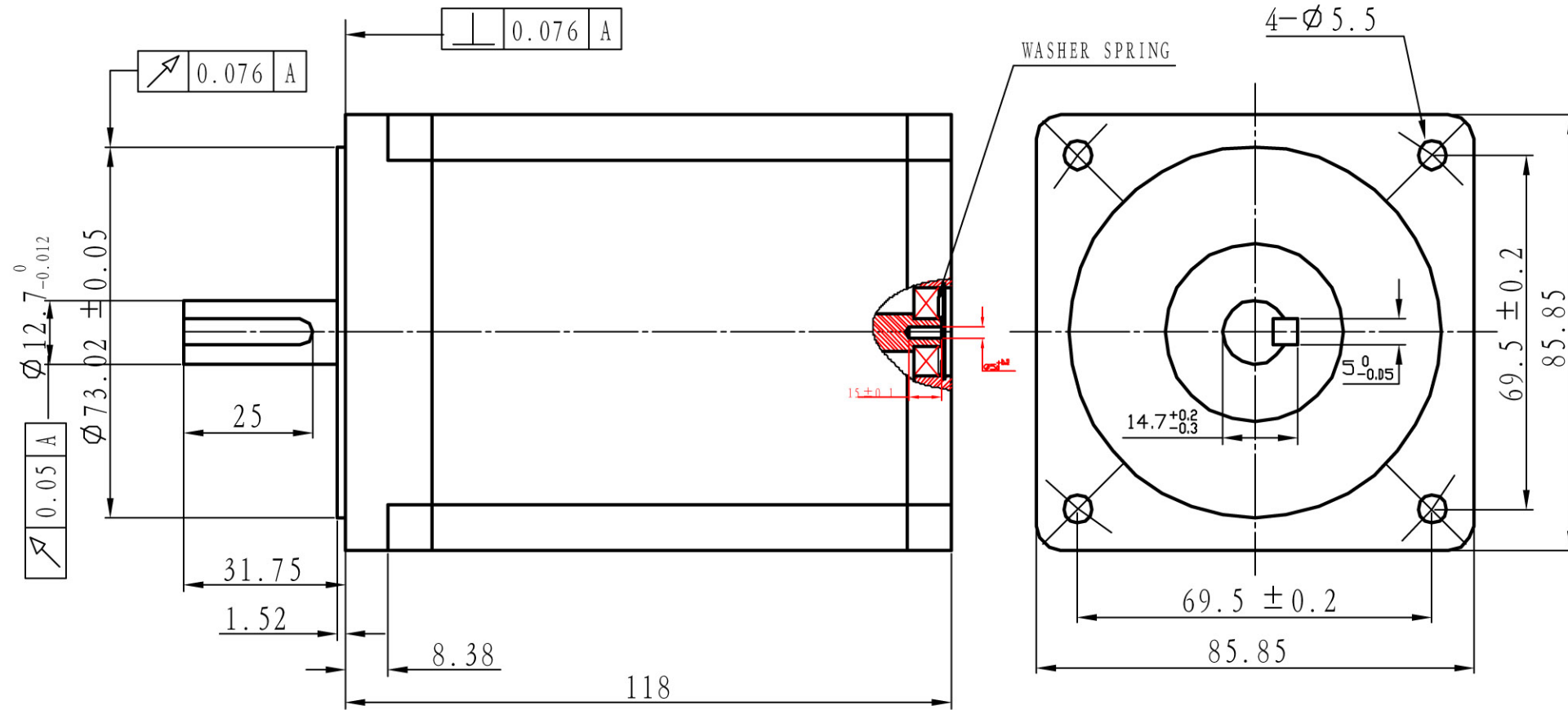
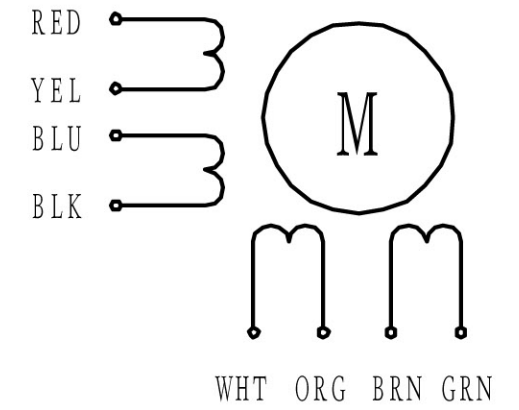


Dimension:



Wiring Diagram:



UL1007 20AWG LENGTH 1000mm **Min.**

Specifications:

PHASE	STEP ANGLE	CONNECTION STYLE	CURRENT	RESISTANCE	INDUCTANCE	HOLDING TORQUE	ROTOR INERTIA	WEIGHT
	DEG/STEP		A	ohms	mH	N.m	g cm ²	Kg
4	1.8	parallel	6	0.6	6.5	8.5	2700	3.8
		series	3	2.4	26			
		unipolar	4.2	1.2	6.5	6		

FX3.162.503SS

FL86STH118-4208A-H

Motion Control Products Ltd
Tel.: +44 (0)1202 599922
www.motioncontrolproducts.com