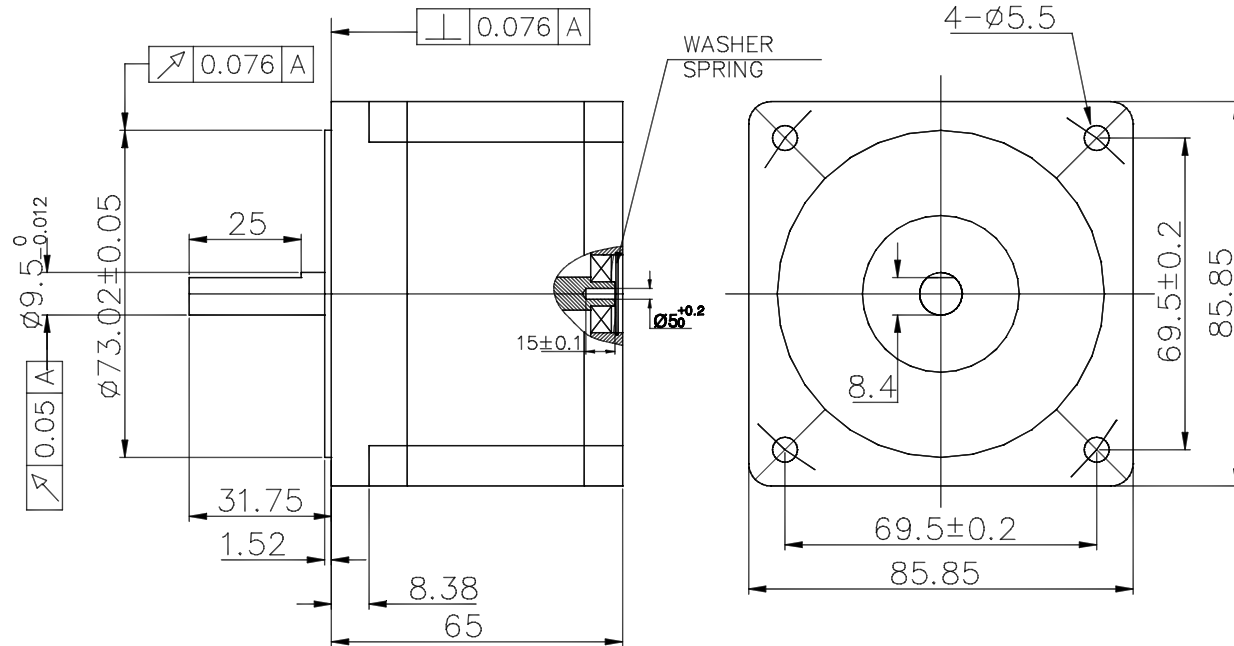
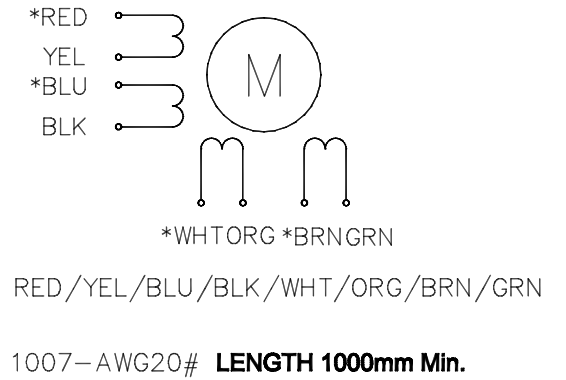


Dimension:



Wiring Diagram:



Specifications:

PHASE	STEP ANGLE	CONNECTION STYLE	CURRENT	RESISTANCE	INDUCTANCE	HOLDING TORQUE	ROTOR INERTIA	WEIGHT
	DEG/STEP		A	ohms	mH	N.m	gcm ²	Kg
4	1.8	parallel	4	0.7	3.9	3.2	1000	1.7
		series	2	2.8	15.6			
		unipolar	2.8	1.4	3.9	2.2		

							FL86STH65-2808A-H	
							FX3.162.501SS	
??	??	??	??????	??	???	Date:		
??			???				05/10/2009	
??						Motion Control		
??			??			Products Ltd		