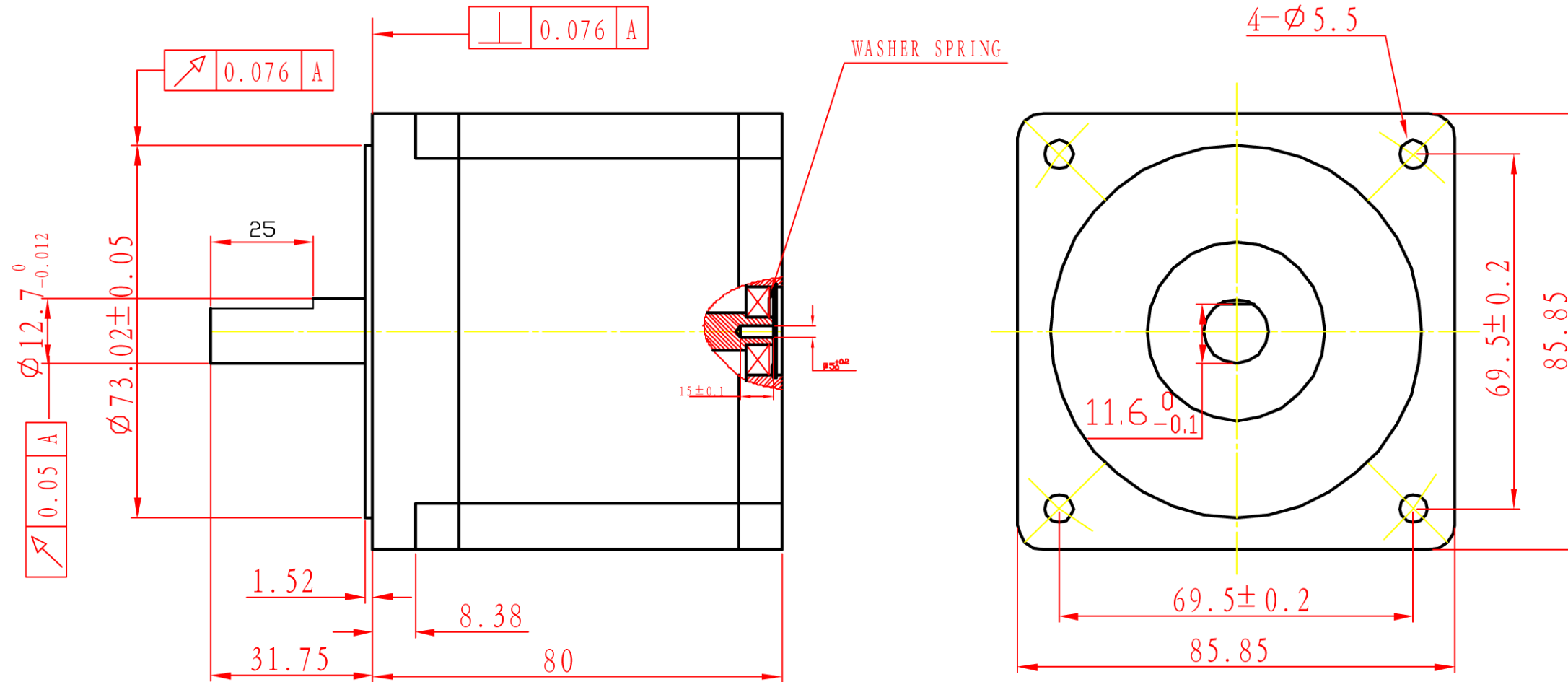
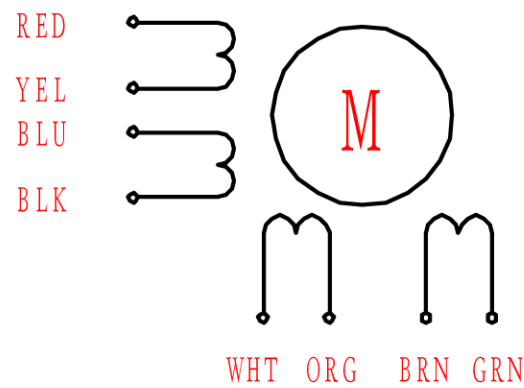


Dimension:



Specifications:

Wiring Diagram:



红黄蓝黑白橙棕绿

1007-AWG20# LENGTH 1000mm Min.

| PHASE | STEP ANGLE | CONNECTION STYLE | CURRENT | RESISTANCE | INDUCTANCE | HOLDING TORQUE | ROTOR INERTIA     | WEIGHT |
|-------|------------|------------------|---------|------------|------------|----------------|-------------------|--------|
|       | DEG/STEP   |                  | A       | ohms       | mH         | N.m            | g cm <sup>2</sup> | Kg     |
| 4     | 1.8        | parallel         | 6       | 0.4        | 3.5        | 4.5            | 1400              | 2.3    |
|       |            | series           | 3       | 1.6        | 14         |                |                   |        |
|       |            | unipolar         | 4.2     | 0.8        | 3.5        | 3.3            |                   |        |

| REV                                    | ECN NO. | DESCRIPTION | DRN                    | APP'D | DATE | DESIGN | DATE | P/N.                        |
|--|---------|-------------|------------------------|-------|------|--------|------|-----------------------------|
|  |         |             |                        |       |      |        |      | TITLE SPECIFICATIONS        |
| UNLESS OTHERWISE SPECIFIED TOLERANCES: |         |             |                        |       |      | CHECK  |      | USED ON                     |
| DECIMALS:                              |         | ANGULAR:    | MATERIAL               |       |      | APPD   |      | FL86STH80-4208A-H           |
| .x                                     | ±0.5    | ±0°30'      | THIRD ANGLE PROJECTION |       |      | SCALE  |      | DWG NO. REV                 |
| .xx                                    | ±0.25   |             |                        |       |      | SHEET  | OF   | FX3.162.502SS               |
| .xxx                                   | ±0.1    |             |                        |       |      |        |      | Motion Control Products Ltd |
| UNIT: mm                               |         |             |                        |       |      |        |      | Tel: +44 (0)1202 599922     |
| DO NOT SCALE DRAWING                   |         |             |                        |       |      |        |      |                             |