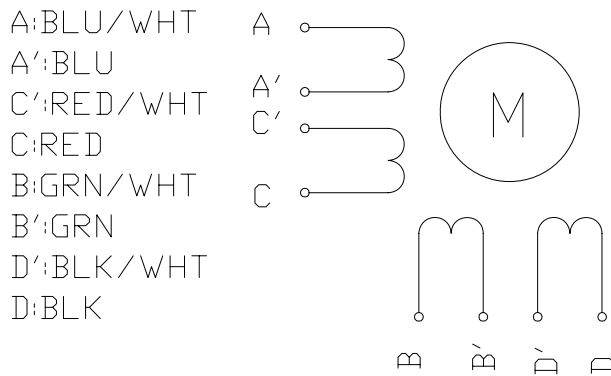


specifications:

PHASE	STEP ANGLE	RATED VOLTAGE	CURRENT /PHASE	RESISTANCE /PHASE	INDUCTANCE /PHASE	HOLDING TORQUE	ROTOR INERTIA	WEIGHT
	DEG/STEP	V	A	ohms	mH	Nm	gcm ²	Kg
unipolar	1.8	6.6	1.0	6.6	8.2	0.7	275	0.65
bipolar(s)	1.8	9.24	0.7	13.2	32.8	1.0	275	0.65
bipolar(p)	1.8	4.62	1.4	3.3	8.2	1.0	275	0.65

Wiring Diagram:

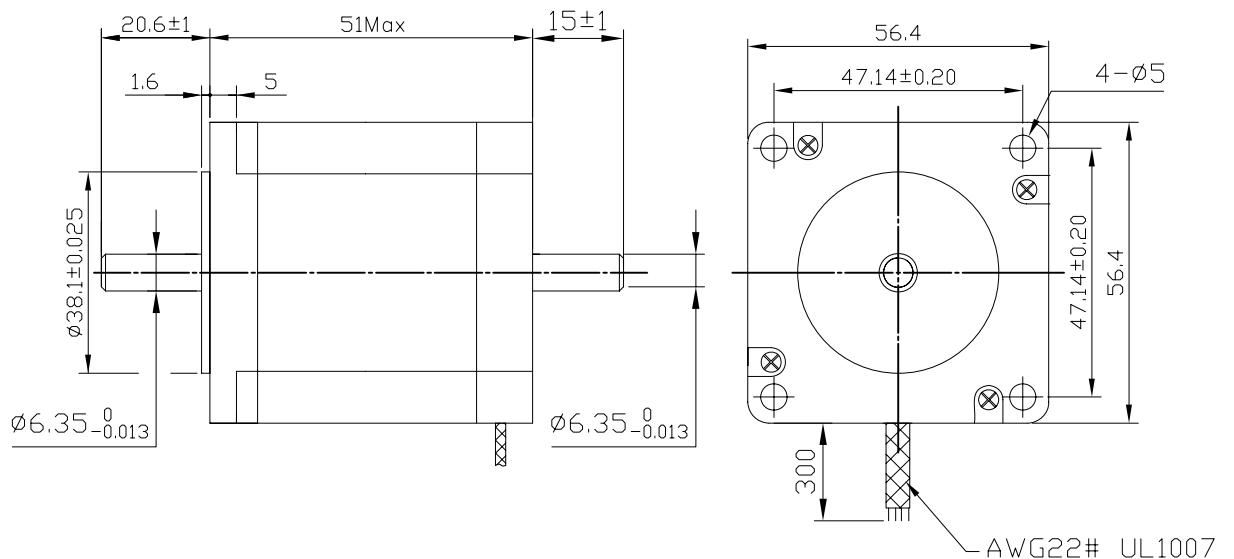


Rotation:

CW DIRECTION	STEP	A C'	C A'	B D'	D B'
↓	1	+		+	
	2		+	+	
	3		+		+
	4	+			+
	1	+		+	

CW direction, see from the shaft end

Dimension:



REV	ECN NO.	DESCRIPTION	DRN	APP'D	DATE	DESIGN	DATE	P/N. M57STH51-1008D
UNLESS OTHERWISE SPECIFIED TOLERANCES: DECIMALS: .x ±0.5 .xx ±0.25 .xxx ±0.1 UNIT: mm DO NOT SCALE DRAWING						CHECK		TITLE Specifications
						APPD		USED ON M57STH51-1008D
MATERIAL THIRD ANGLE PROJECTION					SCALE		DWG NO. FX3.162. SS	REV
					SHEET	OF	Motion Control Products Ltd	