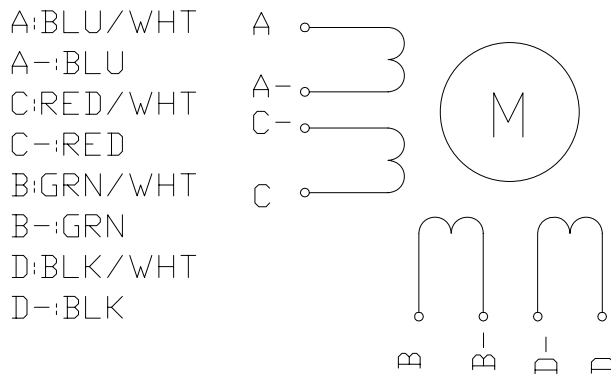


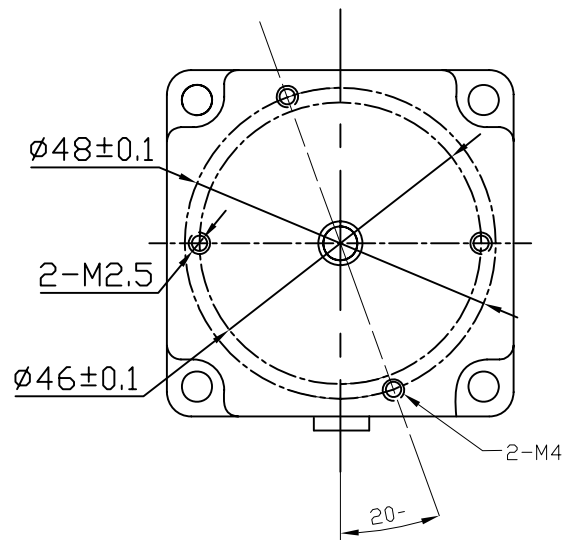
specifications:

PHASE	STEP ANGLE	RATED VOLTAGE	CURRENT /PHASE	RESISTANCE /PHASE	INDUCTANCE /PHASE	HOLDING TORQUE	ROTOR INERTIA	WEIGHT
	DEG/STEP	V	A	ohms	mH	kgf-cm	gcm ²	Kg
unipolar	1.8	2.8	2.8	1.0	1.6	14	480	1.0
bipolar(s)	1.8	4.0	2.0	2.0	6.4	18.9	480	1.0
bipolar(p)	1.8	2.0	4.0	0.5	1.6	18.9	480	1.0

Wiring Diagram:



SEE FROM REAR SHAFT END

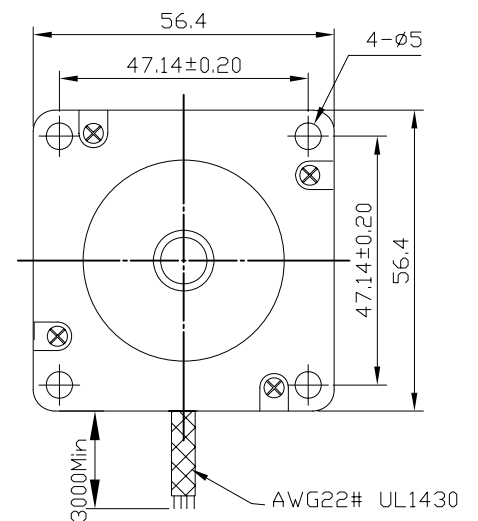
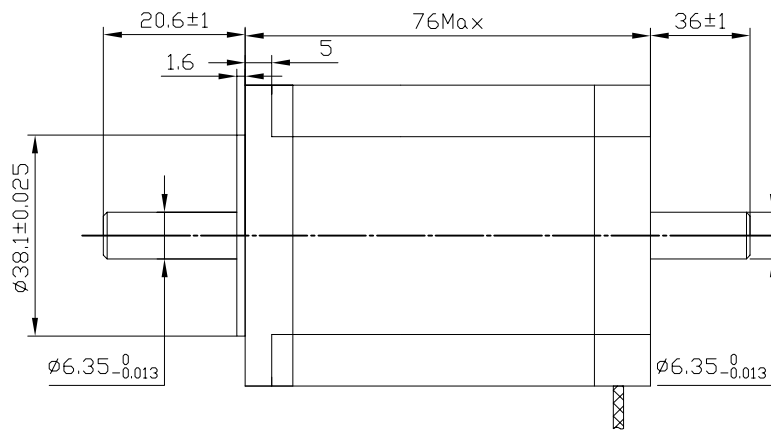


Rotation:

CW DIRECTION	STEP	A C-	C A-	B D-	D B-
↓	1	+		+	
	2		+	+	
	3		+		+
	4	+			+
	1	+		+	

CW direction, see from the flange end

Dimension:



REV	ECN NO.	DESCRIPTION	DRN	APP'D	DATE	Label	P/N.
UNLESS OTHERWISE SPECIFIED TOLERANCES: DECIMALS: .x ±0.5 .xx ±0.25 .xxx ±0.1 ANGULAR: ±0°30' UNIT: mm DO NOT SCALE DRAWING						MCP Ltd Stepper Motor M57STH76-2808D-1 Serial No: xxxxx Date: xxxxx www.motioncontrolproducts.co.uk	TITLE
							Specifications
THIRD ANGLE PROJECTION 						SCALE	USED ON
						SHEET OF	M57STH76-2808D-1
							DWG NO. REV
							FX3.162.1285SS
						MCP Ltd	