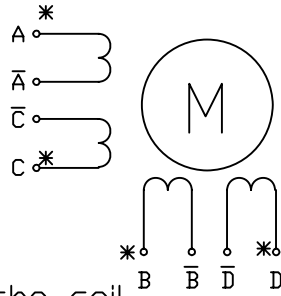


MODEL	PHASE	STEP ANGLE	RATED VOLTAGE	CURRENT /PHASE	RESISTANCE /PHASE	INDUCTANCE /PHASE	HOLDING TORQUE	ROTOR INERTIA	WEIGHT
		DEG /STEP	V	A	Ω	mH	Nm	$g \cdot cm^2$	Kg
Unipolar	4	1.8	3.9	3.0	1.3	3.2	2.1	840	1.4
Bipolar(S)	2		5.46	2.1	2.6	12.8	3		
Bipolar(P)	2		2.73	4.2	0.65	3.2	3		

Wiring Diagram:

A:BLU/WHT
 \bar{A} :BLU
 \bar{C} :RED/WHT
C:RED
B:GRN/WHT
 \bar{B} :GRN
 \bar{D} :BLK/WHT
D:BLK



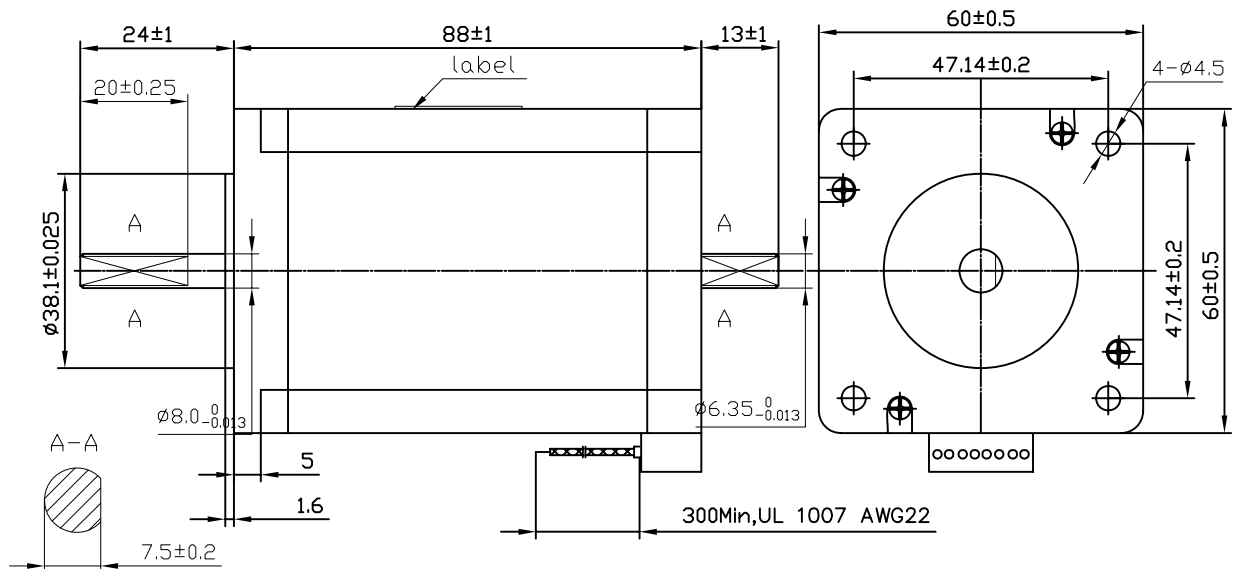
*start of the coil

FULL STEP, PARALLEL BIPOLAR

CW DIRECTION	STEP	blu/wht red/wht A	blu red C	grn/wht blk/wht B	grn blk D
↓	1	+		+	
	2		+	+	
	3		+		+
	4	+			+
	1	+		+	

CW ,VIEW FROM FLANGE SIDE

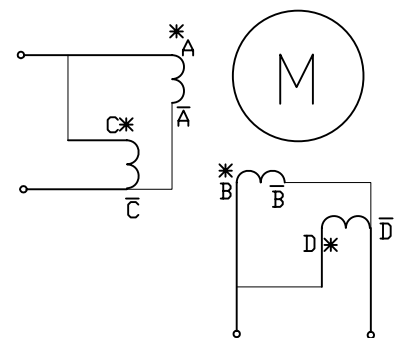
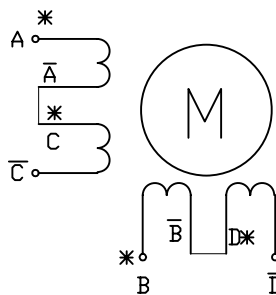
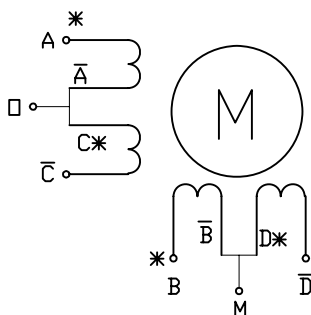
Dimension:



Unipolar

Bipolar(series)

Bipolar(parallel)



REV	ECN NO.	DESCRIPTION	DRN	APP'D	DATE	Label	P/N.
UNLESS OTHERWISE SPECIFIED TOLERANCES: DECIMALS: .x ±0.5 .XX ±0.25 .XXX ±0.1 ANGULAR: ±0°30' UNIT: mm DO NOT SCALE DRAWING						MCP Ltd Stepper Motor M60STH88-3008DF Serial No: xxxxx Date: xxxxx www.motioncontrolproducts.co.uk	TITLE Specifications
MATERIAL THIRD ANGLE PROJECTION							SCALE SHEET OF
							MCP Ltd