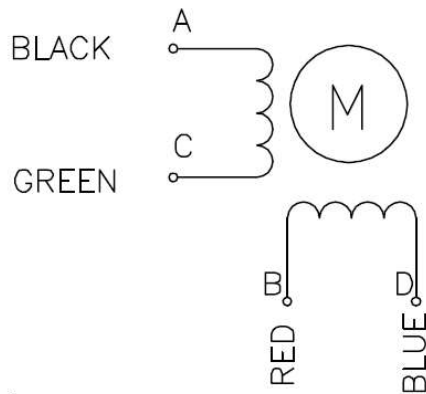


specifications:

MODEL	PHASE	STEP ANGLE	RATED VOLTAGE	CURRENT /PHASE	RESISTANCE /PHASE	INDUCTANCE /PHASE	HOLDING TORQUE	ROTOR INERTIA	WEIGHT
		DEG/STEP	V	A	ohms	mH	g.cm	g.cm ²	Kg
	2	1.8	8.0	0.8	10	17	3200	57	0.24

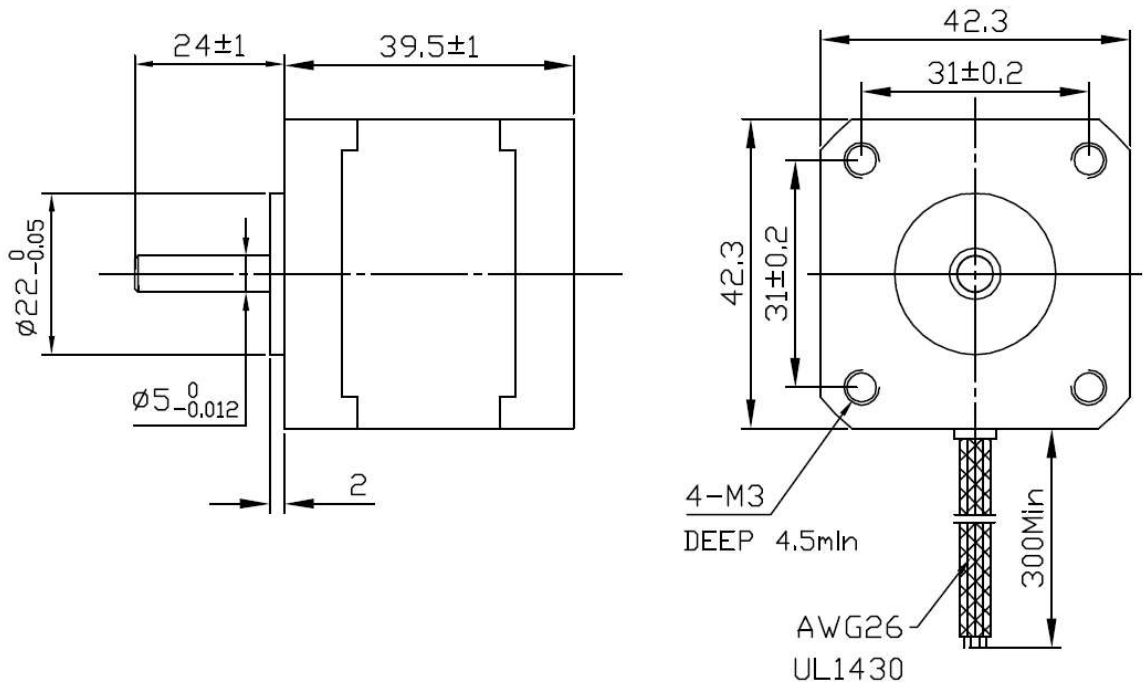
Wiring Diagram:



CW DIRECTION	STEP	A	C	B	D
↓	1	+		+	
	2		+	+	
	3		+		+
	4	+			+
	1	+		+	

CW see from the flange side

Dimension:



REV	ECN NO	DESCRIPTION	DRN	APP'D	DATE	DESIGN	DATE	P/N.
							2016-1-1	FL42STH38-0804A
UNLESS OTHERWISE SPECIFIED TOLERANCES:						CHECK		TITLE SPECIFICATIONS
DECIMALS: .x ±0.5						APPD		USED ON
ANGULAR: ±0°30'								DWG NO. 3.162.048SS
.xx ±0.25						SCALE		REV
.xxx ±0.1								
UNIT: mm								
DO NOT SCALE DRAWING						SHEET	OF	Motion Control Products Ltd.
								TEL.: +44 (0)1202 599922