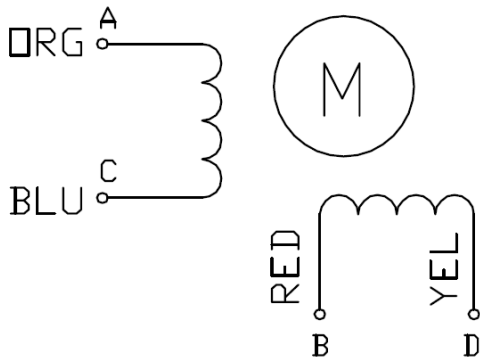


specifications:

MODEL	PHASE	STEP ANGLE	RATED VOLTAGE	CURRENT /PHASE	RESISTANCE /PHASE	INDUCTANCE /PHASE	HOLDING TORQUE	ROTOR INERTIA	WEIGHT
		DEG/STEP	V	A	ohms	mH	kg.cm	gcm ²	Kg
	2	1.8	2.38	3.4	0.7	2.55	18.9	480	1

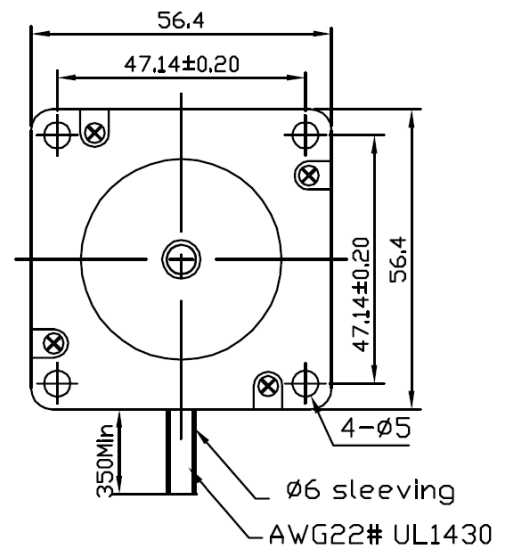
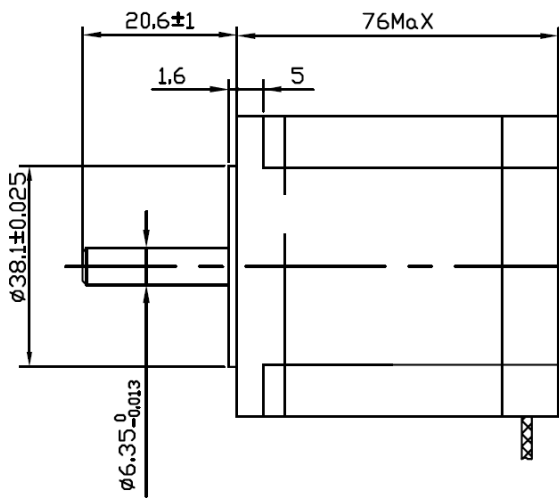
Wiring Diagram:



CW DIRECTION	STEP	A	C	B	D
↓	1	+		+	
	2		+	+	
	3		+		+
	4	+			+
	1	+		+	

CW see from the flange side

Dimension:



DESIGN	DATE	P/N. FL57STH76-3404A-C	
REVISION NO.	DESCRIPTION	DRN APP'D	DATE
UNLESS OTHERWISE SPECIFIED TOLERANCES:	MATERIAL	CHECK	TITLE: SPECIFICATION
DECIMALS: .x ± 0.5	ANGULAR: $\pm 0^{\circ}30'$	APPD	USED ON:
.xx ± 0.25			DWG NO. 3.162. JS
.xxx ± 0.1			REV
UNIT: mm	THIRD ANGLE PROJECTION	SCALE	Motion Control Products Ltd.
DO NOT SCALE DRAWING		SHEET OF	Tel.: +44 (0)1202 599922