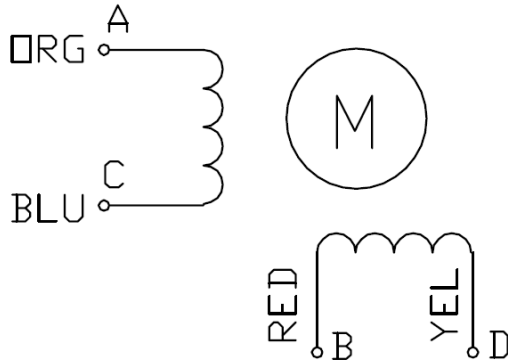


specifications:

MODEL	PHASE	STEP ANGLE	RATED VOLTAGE	CURRENT /PHASE	RESISTANCE /PHASE	INDUCTANCE /PHASE	HOLDING TORQUE	DETENT TORQUE	ROTOR INERTIA	WEIGHT
		DEG/STEP	V	A	ohms	mH	N.cm	N.cm	g.cm ²	Kg
	2	1.8	3.2	4	0.8	3.2	220	6.8	520	1.1

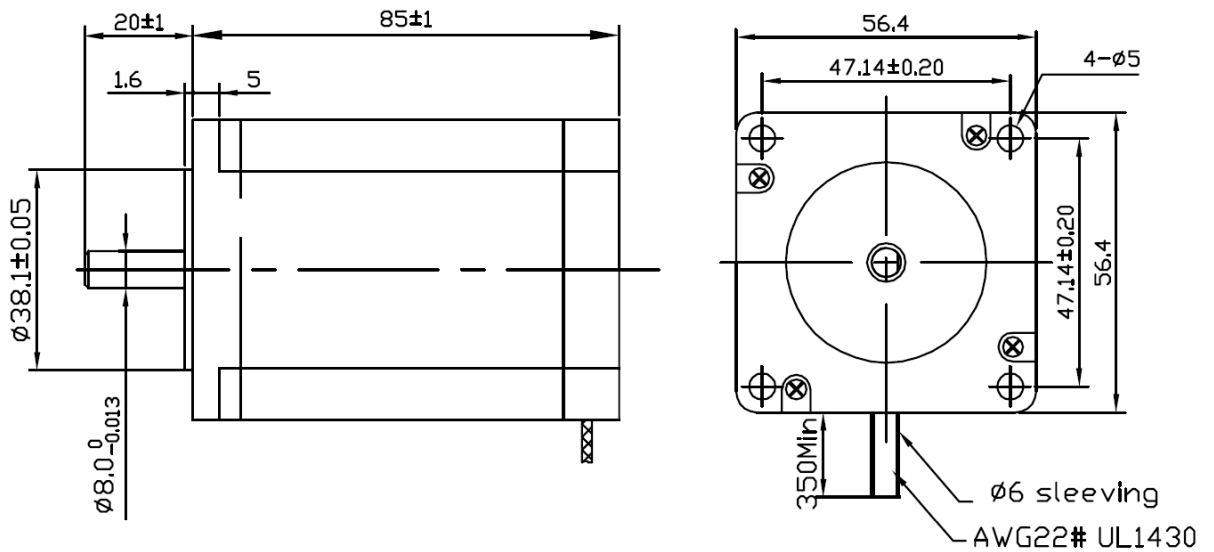
Wiring Diagram:



CW DIRECTION	STEP	A	C	B	D
↓	1	+		+	
	2		+	+	
	3		+		+
	4	+			+
	1	+		+	

CW see from the flange side

Dimension:



DESIGN	DATE	P/N. FL57STH84-4004A-C	
REVISION NO.	DESCRIPTION	DRN	APP'D DATE
UNLESS OTHERWISE SPECIFIED TOLERANCES:	MATERIAL	CHECK	TITLE: SPECIFICATION
DECIMALS:	ANGULAR:	APP'D	USED ON:
.x ±0.5	±0°30'		DWG NO. 3.162. JS
.xx ±0.25		SCALE	REV
.xxx ±0.1	THIRD ANGLE PROJECTION	SHEET	OF
UNIT: mm			
DO NOT SCALE DRAWING			
			Motion Control Products Ltd.
			Tel.: +44 (0)1202 599922