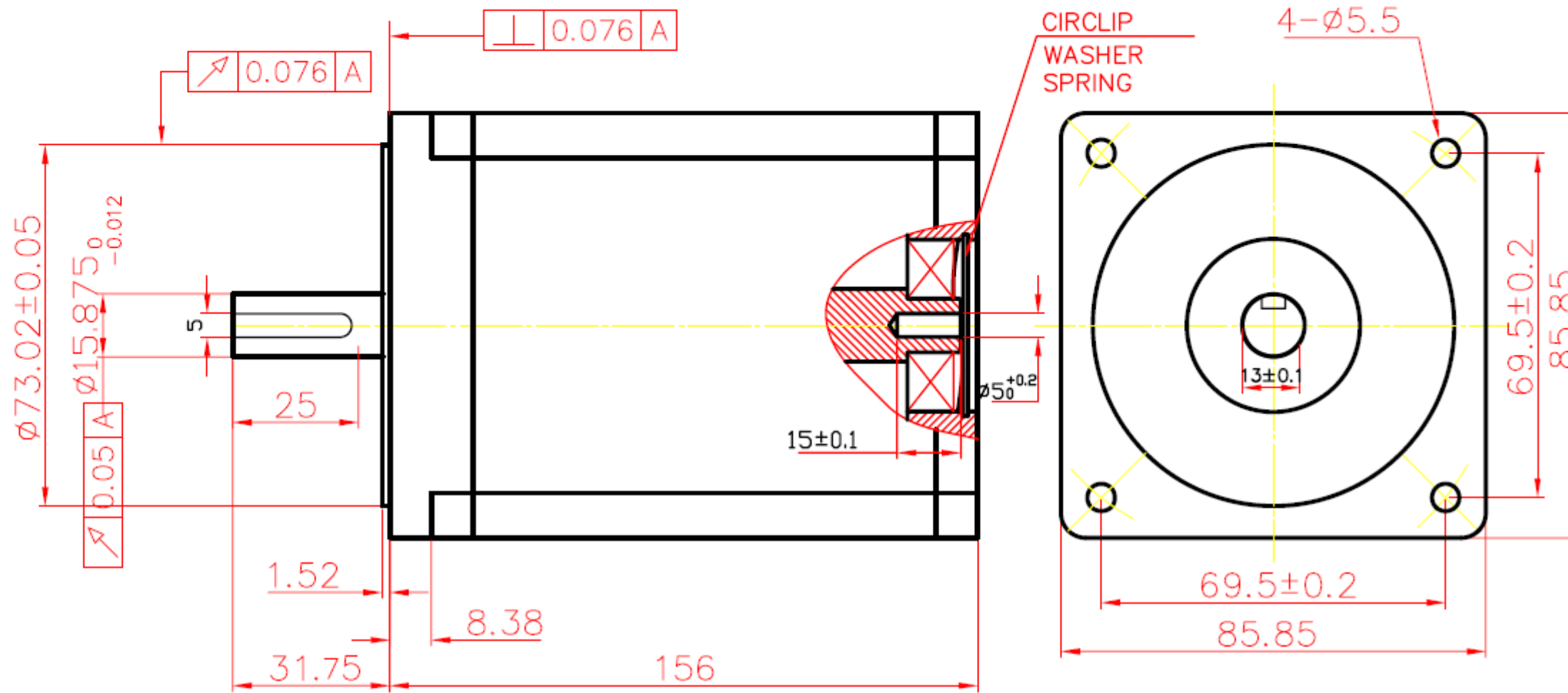
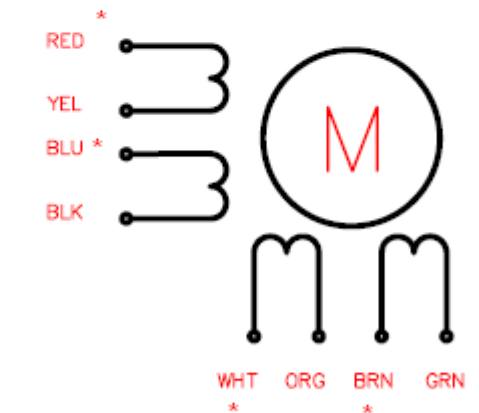


Dimension:



Wiring Diagram:



1430 – AWG20 1000mm Min.

Specifications:

PHASE	STEP ANGLE	CONNECTION STYLE	CURRENT	RESISTANCE	INDUCTANCE	HOLDING TORQUE	ROTOR INERTIA	WEIGHT
	DEG/STEP		A	ohms	mH	N.m	gcm ²	Kg
4	1.8	parallel	6	0.73	8.68	12	4000	5.3
		series	3	2.92	34.7			
		unipolar	4.2	1.46	8.68	8.4		

REVISION NO	DESCRIPTION	DRN	APP'D	DATE	DESIGN	DATE	P/N.
						16/06/11	
UNLESS OTHERWISE SPECIFIED TOLERANCES:				MATERIAL		TITLE	
DECIMALS: .x ±0.5						SPECIFICATIONS	
ANGULAR: .xx ±0.25 ±0°30'						USED ON	
.xxx ±0.1						FL86STH156-4208A-H	
UNIT: mm				THIRD ANGLE PROJECTION		DWG NO.	
DO NOT SCALE DRAWING						3.162.5114SS	
				SCALE		REV	
				SHEET		OF	
						MCP Ltd	