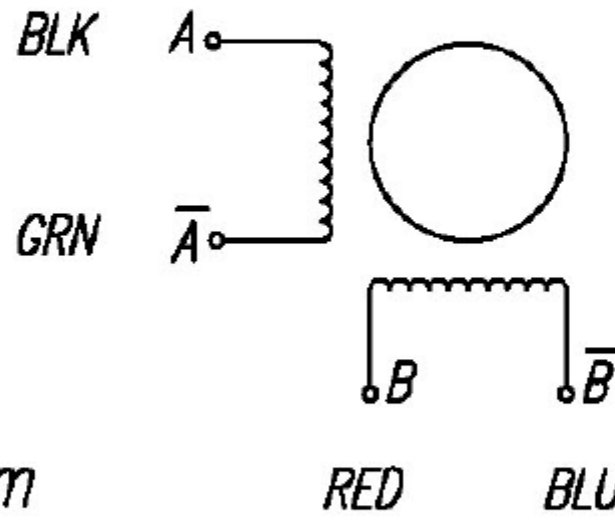
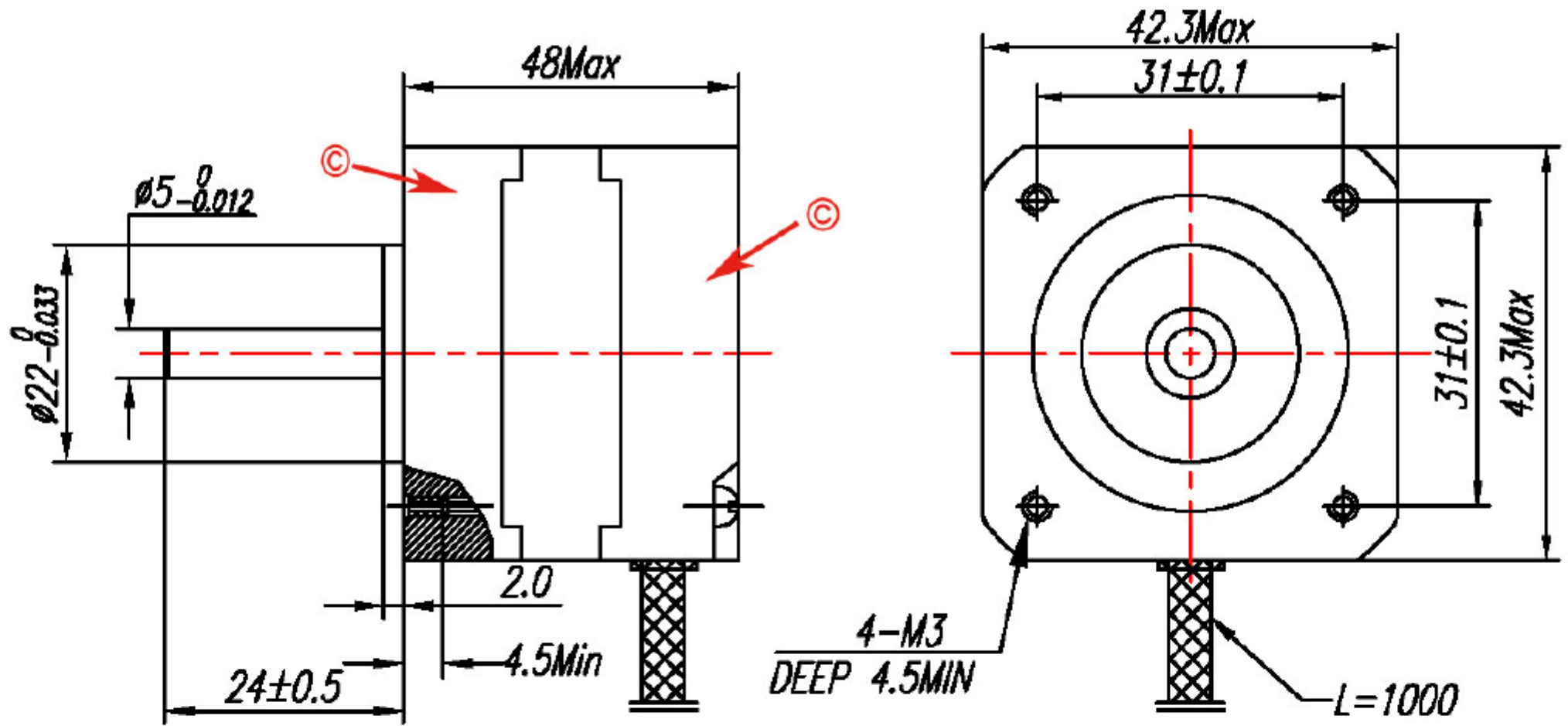


☐ COLORS OF LEAD WIRES



☐ DIMENSIONS *unit=mm*



☐ SPECIFICATIONS

PHASE	2	PHASE	
STEP ANGLE	1.8±5%	°/STEP	© Note: Motor body and end bells including rear face to be painted black. Front face to be left unpainted.
VOLTAGE	3.2	V	
CURRENT	1.68	A/PHASE	
RESISTANCE	1.9 ±10%	Ω /PHASE	
INDUCTANCE	2.8 ±20%	mH/PHASE	
HOLDING TORQUE	44	N.cm	
DETENT TORQUE		g.cm	
INSULATION CLASS	B		
LEAD STYLE	AWG26 UL1430		
CORROSION RESISTANT FINISH	ELECTROPHORESIS BLACK		

Rev.1		Dwg. Date	11/11/2010	Part No.:	M42STH47-1684S-02	Motion Control Products Ltd. Tel. : 01202 599922 www.motioncontrolproducts.com
		Checked by	J Drayton	Label Information:	Motion Control Products Ltd. M42STH47-1684S-02 Lot No.: xxxxxxxx www.motioncontrolproducts.com	
		Modified Date	08/12/2011			