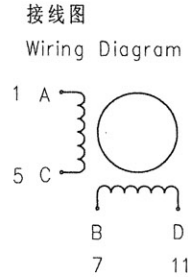
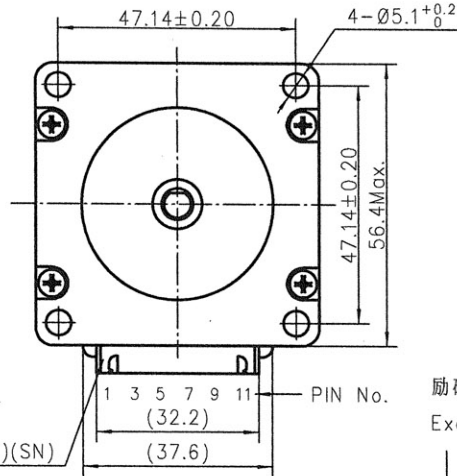
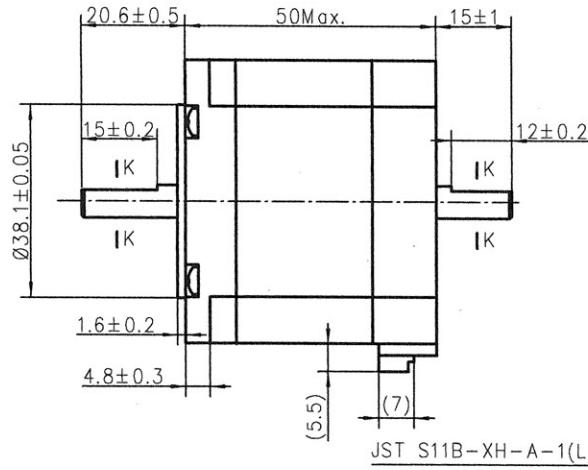
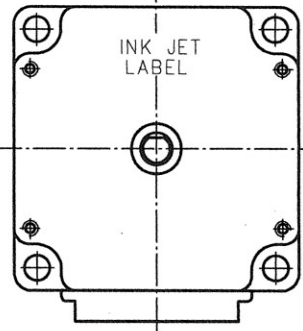


4611110004297



励磁顺序 vs. 旋转方向
Exciting Sequence vs. Direction of Rotation

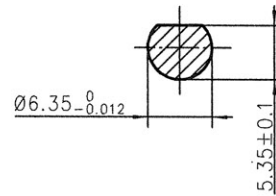
STEP	A	B	C	D	CW
1	+	+	-	-	↑
2	-	+	+	-	
3	-	-	+	+	
4	+	-	-	+	

从安装面看为顺时针方向
Clockwise view from mounting side

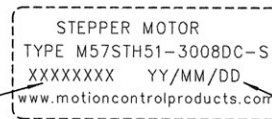
规格 Specifications

1. 相数 Number of Phase	2
2. 步距角 Step Angle	1.8°
3. 额定电压 Rated Voltage	3.15 V DC
4. 额定电流 Rated Current	2.1 Amp
5. 保持力矩 Holding Torque	1.0 N.m Min.(Two phase on/rated current)
6. 相电阻 Phase Resistance	1.5 ohm±10%(20°C)
7. 相电感 Phase Inductance	4.4 mH±20%(1kHz 1V rms)
8. 转子惯量 Rotor Inertia	220g.cm ²
9. 电机重量 Motor Weight	0.55 kg
10. 绝缘等级 Insulation Class	B(130°C)

K-K(2:1)



铭牌 Label detail



Work Order
加工单号

Date Format
日期格式



Unit: mm
第一角画法
FIRST ANGLE METHOD
未注线性与角度尺寸公差
Tolerances for linear and angular dimensions without individual tolerance indications
GB/T 1804-m eqv ISO 2768-1:m
未注形状与位置尺寸公差
Geometrical tolerance for features without individual tolerance indications
GB/T 1184-K eqv ISO 2768-2:K

批准 Approve	Juan	2.6
标准化 Standard	2.6	2.6
工艺 Technology	2.02.06	2.02.06
审核 Check	2.0	2.0
设计 Design	刘明	2012.02.06

Motion Control Products Ltd.
Tel.: (+44) 01202 599922

Hybrid Stepping Motor

Proprietary and confidential: this drawing and the information contained herein is the property of Motion Control Products Ltd. It may not be disclosed to any third party without prior written consent.
Copyright Motion Control Products Ltd. 2011.

REV.	版本记录 REVISION RECORD	DATE	UNLESS OTHERWISE SPECIFIED	NAMES	SIGNATURE	DATE
C	Change label	2012.02.06				
B	Delete lead-wire	2011.11.11				
A	原始版本 Original revision	2010.04.26				

Type: M57STH51-3008DC-S Rev.C SCALE 1:1 Sheet 1 of 1