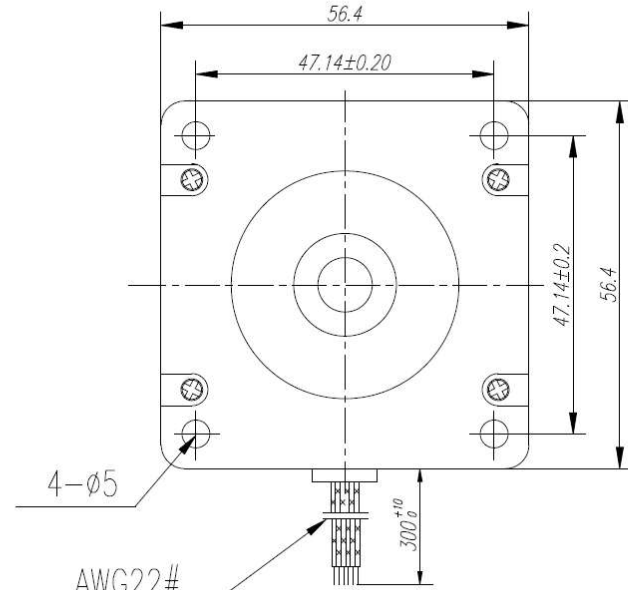
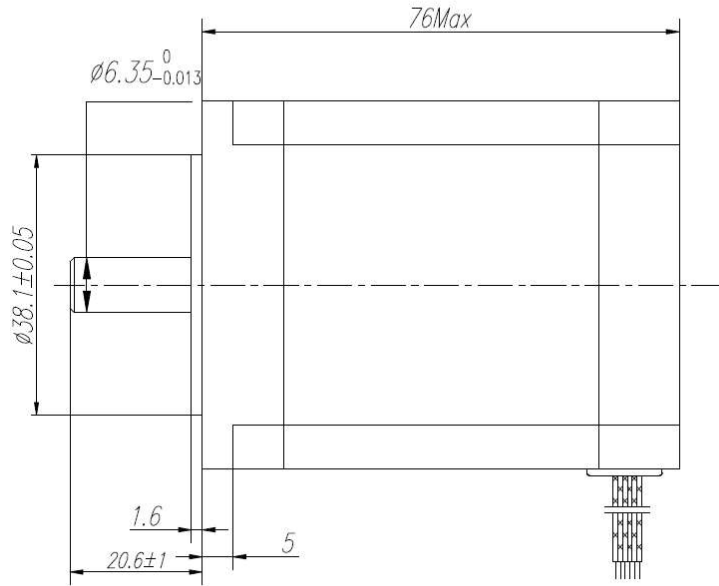


□ DIMENSIONS

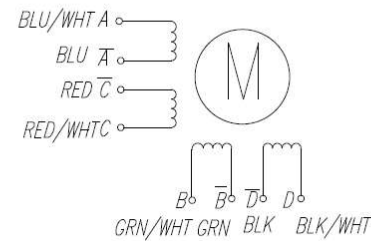


AWG22#
UL1430

□ SPECIFICATIONS unit=mm

□ COLORS OF LEAD WIRES

CONNECTION WISE	EIGHT WIRING	SERIES CONNECTION	PARALLEL CONNECTION
PHASE	2 PHASE	2 PHASE	2 PHASE
STEP ANGLE	1.8±5% °/STEP	1.8±5% °/STEP	1.8±5% °/STEP
VOLTAGE	2.8 V	4.0 V	2 V
CURRENT	2.8 A/PHASE	2.0 A/PHASE	4 A/PHASE
RESISTANCE	1.0 ±10% Ω/PHASE	2.0 ±10% Ω/PHASE	0.5 ±10% Ω/PHASE
INDUCTANCE	1.6 ±20% mH/PHASE	6.4±20% mH/PHASE	1.6±20% mH/PHASE
HOLDING TOGQUE	140 N.cm	189 N.cm	189 N.cm
INSULATION CLASS	B	B	B
LEAD STYLE	AWG22# UL1430	AWG22# UL1430	AWG22# UL1430
NO. OF LEADS	8	4	4



CW DIRECTION	STEP	AC	CA	BD	DB
↓	1	+		+	
	2		+		+
	3			+	
	4	+			+
	1	+		+	

						Stepper Motor			SPECIFICATION		
						P/No.:			M57STH76-2808S		
						TAG			NAME		
						PLACE			DATE		
						CHANGE			2009-1-5		
						DESIGN			STD.		
						CHECK			APPROVE		
						PROC.			NR		
						PAGE:					
						Motion Control Products Ltd 11-15 Francis Avenue Bournemouth Dorset, UK, BH11 8NX TEL.: +44 (0)1202 599922 www.motioncontrolproducts.com					