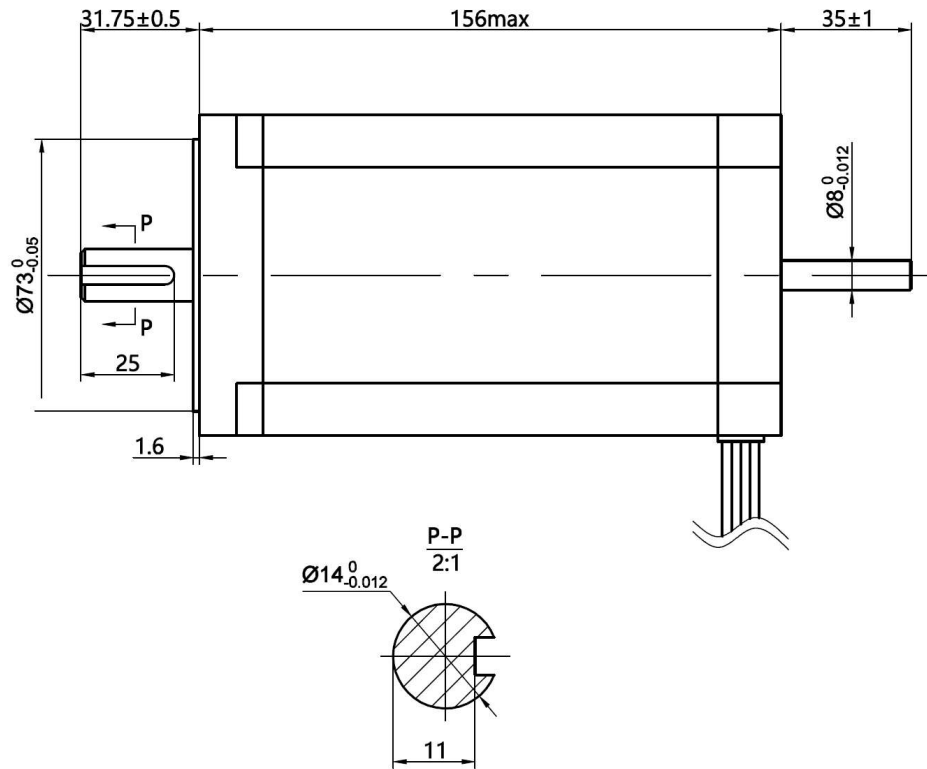
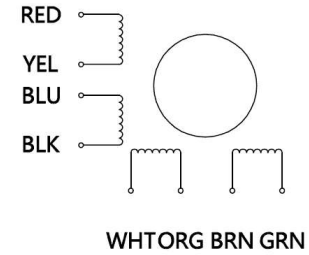


版本 REV.	位置 LOC.	变更号 ECN NO.	变更内容 REVISION RECORD	日期 DATE	设计 BY
	△				
	△				
	△				



□ WIRING DIAGRAM



励磁顺序VS旋转方向
从电机的安装面看

STEP	A	B	A	B	
1	+	+	-	-	CCW ↑
2	-	+	+	-	
3	-	-	+	+	
4	+	-	-	+	

MOTOR LABEL

Stepper Motor
P/No.: M86STH156-6204BK
Lot No.: xx / xxxx
www.motioncontrolproducts.com

1.相数	Phase	2		
2.步距角	Step Angle	1.8 ±5% °/Step		
3.接线方式	Connection Style	Parallel	Series	Unipolar
4.静电电压	Voltage	1.6 VDC	1.6 VDC	1.6 VDC
5.额定电流	Current	6.0 A	3.0 A	4.2 A
6.电阻	Resistance	0.73 Ω	2.92 Ω	1.46 Ω
7.电感	Inductance	8.68 mH	34.7 mH	8.68 mH
8.静转矩	Holding Torque	12 N·m	12 N·m	8.4 N·m
9.表面处理	Surface Treatment	端盖、定子黑色电泳		
10.绝缘耐压	Dielectric Strength	500VAC/5mA/1min		
11.绝缘电阻	Insulation Resistance	≥100MΩ/500VDC		
12.绝缘等级	Insulation Class	Class B		
13.线规	Lead Style	UL1007 AWG20		
14.重量	Weight	TBD KG		

备注 Comment

CTQ Sign: △ Customer; △ Process; △ Law		Motion Control Products Ltd.		This drawing contains information that is proprietary to Motion Control Products Ltd. and should not be used without written permission. In accordance with our policy of continual product improvement, Motion Control Products Ltd. reserves the right to amend the specification of the product(s) without prior notification.	
物料符合RoHS指令要求 All Material are to be RoHS Compliant		Tel.: +44 (0)1202 599922 www.motioncontrolproducts.com			
UNLESS OTHERWISE SPECIFIED		名称 NAMES	签名 SIGNATURE	日期 DATE	名称 TITLE
单位 Unit:mm 1.未注线性公差参照 GB/T1804-m级 ISO 2768-1 class m <=6 ±0.1 >6~30 ±0.2 >30~120 ±0.3 >120~400 ±0.5		设计 DESIGN		2021-9-25	型号 MODEL
2.常规公差Tolerances 角度 Angles:±0.1° 倒角 Chamfer:±5°		审核 CHECK			图号 DWG.NO.
第一视角画法 FRIST ANGLE METHOD		批准 APPROVE			材料 MATERIAL
变更标识 ECN SIGN		客户型号 CUSTOMER'S MODEL.NO.		版本 REV.	图幅 SIZE
				A1	A3
				比例 SCALE	页 SHEET
				1:1	1 of 1

外形图

M86STH156-6204BK

000002443

14.1.86156.08.60