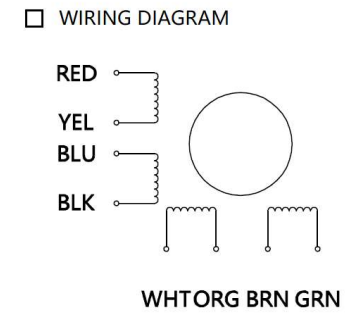
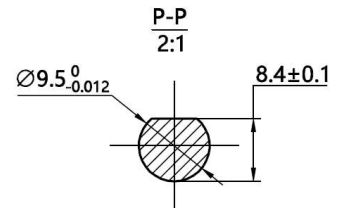
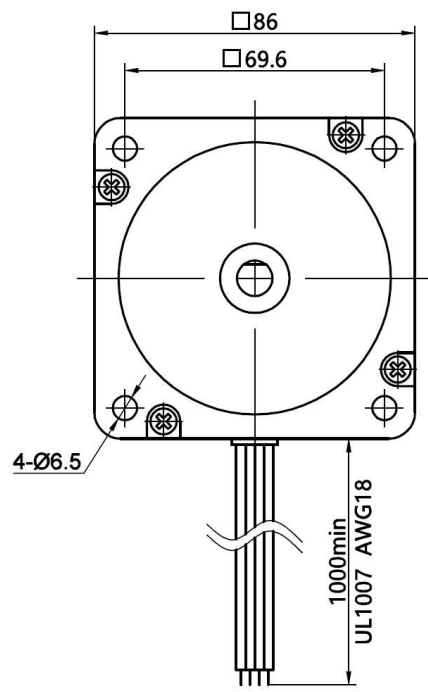
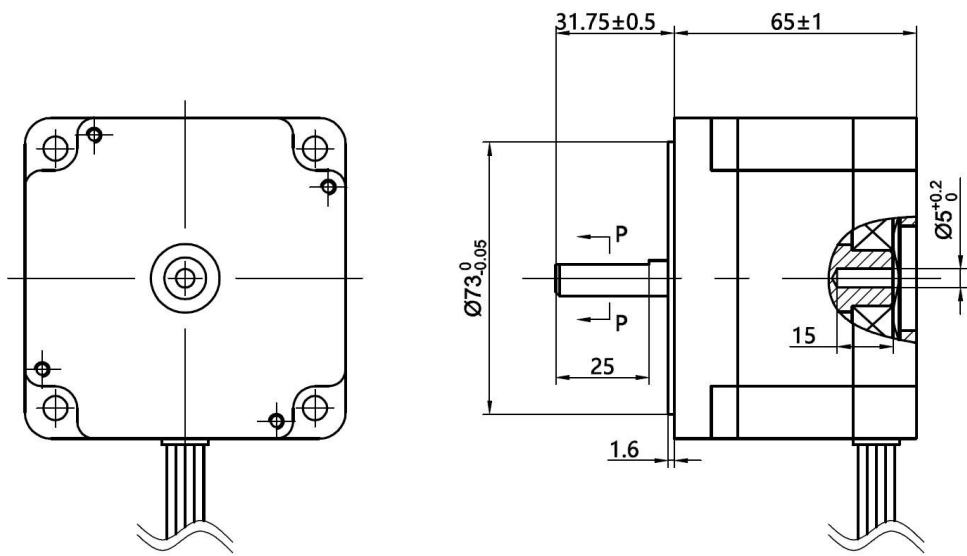


版本 REV.	位置 LOC.	变更号 ECN NO.	变更内容 REVISION RECORD	日期 DATE	设计 BY
	△				
	△				
	△				



励磁顺序VS旋转方向
从电机的安装面看

STEP	A	B	A	B	CW
1	+	+	-	-	↑
2	-	+	+	-	
3	-	-	+	+	
4	+	-	-	+	

Motor Label

Stepper Motor
P/No:M86STH65-2808S-H
Lot No.:xx/xxxx
www.motioncontrolproducts.com

1.相数	Phase	2		
2.步距角	Step Angle	1.8 ±5% °/Step		
3.接线方式	Connection Style	Parallel	Series	Unipolar
4.静电电压	Voltage	1.6 VDC	1.6 VDC	1.6 VDC
5.额定电流	Current	4.0 A	2.0 A	2.8 A
6.电阻	Resistance	0.7 Ω	2.8 Ω	1.4 Ω
7.电感	Inductance	3.9 mH	15.6 mH	3.9 mH
8.静转矩	Holding Torque	3.2 N·m	3.2 N·m	2.2 N·m
9.表面处理	Surface Treatment	端盖、定子黑色电泳		
10.绝缘耐压	Dielectric Strength	500VAC/5mA/1min		
11.绝缘电阻	Insulation Resistance	≥100MΩ/500VDC		
12.绝缘等级	Insulation Class	Class B		
13.线规	Lead Style	UL1007 AWG18		
14.重量	Weight	TBD KG		
规格 Specifications		备注 Comment		

CTQ Sign: △ Customer; △ Process; △ Law		Motion Control Products Ltd. Tel.: +44 (0)1202 599922 www.motioncontrolproducts.com			<small>This drawing contains information that is proprietary to Motion Control Products Ltd. and should not be used without written permission. In accordance with our policy of continual product improvement, Motion Control Products Ltd. reserves the right to amend the specification of the product(s) without prior notification.</small>	
物料符合RoHS指令要求 All Material are to be RoHS Compliant		名称 NAMES		签名 SIGNATURE	日期 DATE	名称 TITLE
UNLESS OTHERWISE SPECIFIED		设计 DESIGN		2021-9-15		外形图
单位 Unit:mm 1.未注线性公差参照 GB/T1804-m级 ISO 2768-1 class m <=6 ±0.1 >6~30 ±0.2 >30~120 ±0.3 >120~400 ±0.5		2.常规公差Tolerances 角度 Angles:±0.1° 倒角 Chamfer:±5°		型号 MODEL		M86STH65-2808S-H
第一视角画法 FRIST ANGLE METHOD		审核 CHECK		图号 DWG.NO.		000002402
变更标识 ECN SIGN		批准 APPROVE		材料 MATERIAL		14.1.8665.08.33
客户型号 CUSTOMER'S MODEL.NO.		版本 REV.	图幅 SIZE	比例 SCALE	页 SHEET	
		A1	A3	1:1	1 of 1	