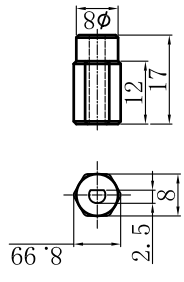
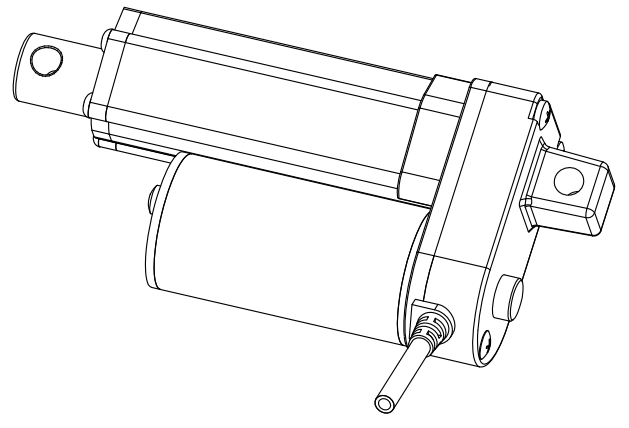
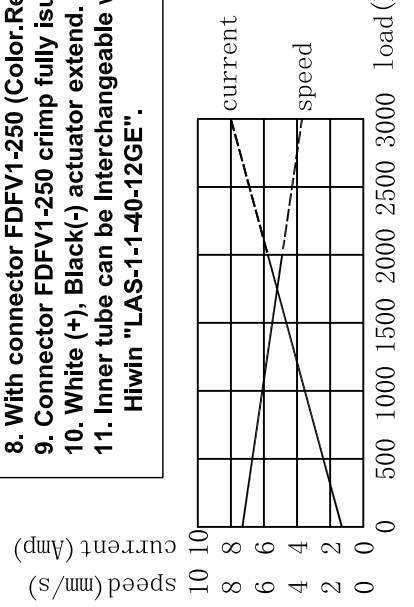


SPECIFICATIONS:

1. Input power: 12V DC
2. Speed = 7.3 ± 1 mm/s (Max.)
3. Push Force: 2000N Max.
(units will be tested during production to ensure that 2000N force is achieved)
4. Power cable length = 4.5M
5. Wires with spade terminal.
6. Motor cable outlet: from top cover (as shown)
7. With back of motor for hand release
8. With connector FDFV1-250 (Color.Red)
9. Connector FDFV1-250 crimp fully isolated.
10. White (+), Black(-) actuator extend.
11. Inner tube can be interchangeable with Hiwin "LAS-1-1-40-12GE".



Hand Release kit

Remark: P1-AB81-029 / GH1518 (old version: P1-AB81-013)

Customer		Customer Confirmation:		Dimension
Product	Model	Tolerance	Revision	mm/inch
LINEAR ACTUATOR	GD23-12-E-150/190-01R	X ±0.2	R1	PAGE 1 OF 1
Design	Sichao	X.XX ±0.1	Scale	View Angle
Review	Zhidong	X.XX ±0.05	1 : 1	
Approve	J.C.			

MOTION CONTROL PRODUCTS LTD.