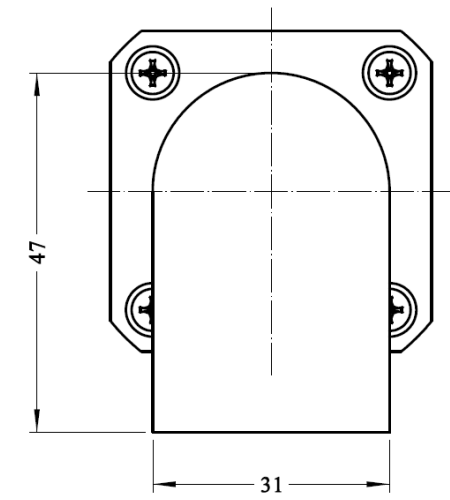
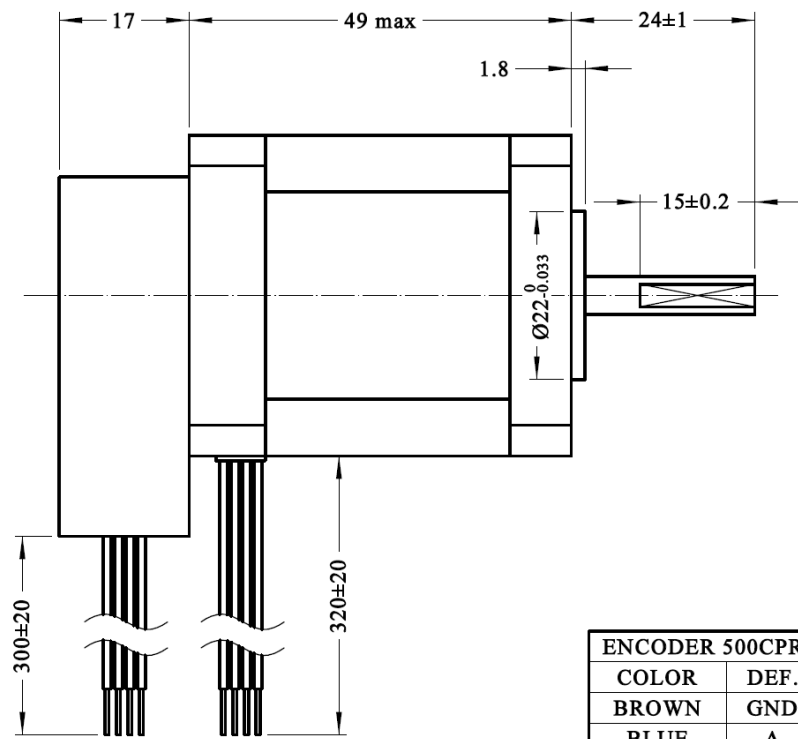
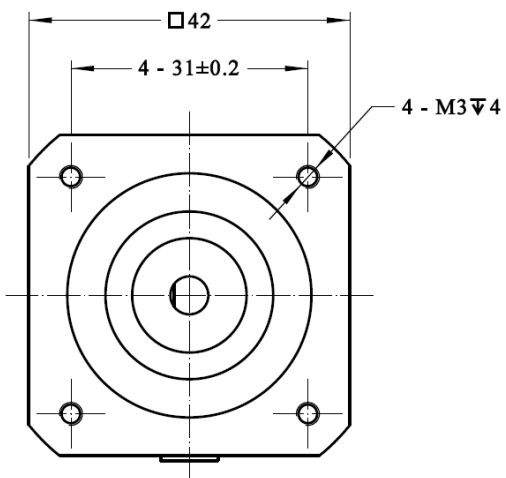
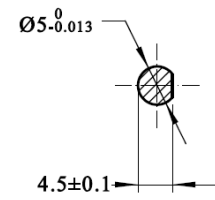

**17H249-150-4D-EK25**  
 yyyy/mm/dd

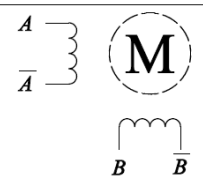
Rev	Zone	Description	By	Date
0		Initial release	Randy	2016/10/12
1			Randy	
2			Randy	




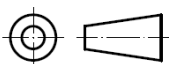
ENCODER 500CPR	
COLOR	DEF.
BROWN	GND
BLUE	A
ORANGE	+5 V
YELLOW	B



MOTOR PHASE	-	2
STEP ANGLE	°±5%	1.8
RATED VOLTAGE	V	3.3
RATED CURRENT	A	1.5
PHASE RESISTANCE	Ω ±10% / 20C	2.2
PHASE INDUCTANCE	mH ±20% / 1KHz	5.1
ROTARY INERTIA	g·cm <sup>2</sup>	77
HOLDING TORQUE	Kg·cm	4.8
REDUCTION RATIO	-	-
INSULATION CLASS	-	B
TEMPERATURE RISE	°C	80
DIELECTRICAL STRENGTH	AC 500 V / 1 KHz / 1mA / 1s	
INSULATION RESISTANCE	MΩ / DC 500 V	100
DUTY TYPE	-	S1
MASS	Kg	0.36

WIRING	EXCITATION																								
	UL 1430 20 AWG <table border="1"> <thead> <tr> <th>CW</th> <th colspan="3">→</th> </tr> </thead> <tbody> <tr> <td>BLACK</td> <td>A</td> <td>+</td> <td>-</td> </tr> <tr> <td>GREEN</td> <td>A</td> <td>-</td> <td>+</td> </tr> <tr> <td>RED</td> <td>B</td> <td>-</td> <td>+</td> </tr> <tr> <td>BLUE</td> <td>B</td> <td>+</td> <td>-</td> </tr> <tr> <th>CCW</th> <th colspan="3">←</th> </tr> </tbody> </table>	CW	→			BLACK	A	+	-	GREEN	A	-	+	RED	B	-	+	BLUE	B	+	-	CCW	←		
CW	→																								
BLACK	A	+	-																						
GREEN	A	-	+																						
RED	B	-	+																						
BLUE	B	+	-																						
CCW	←																								

**Motion Control Products Ltd.** 11-15 Francis Avenue, Bournemouth, Dorset, UK, BH11 8NX  
 TEL.: +44 (0)1202 599922 www.motioncontrolproducts.com

 UNLESS OTHERWISE SPECIFIED ALL DIMENSIONS ARE IN MILLIMETERS AND TOLERANCES ARE AS BELOW PER ISO2768-CK.	DRAWN Randy DATE 2016/10/12	PROPRIETARY AND CONFIDENTIAL: THIS DRAWING AND THE INFORMATION CONTAINED HEREIN IS THE PROPERTY OF MOTION CONTROL PRODUCTS LTD. IT MAY NOT BE DISCLOSED TO ANY THIRD PARTY WITHOUT PRIOR WRITTEN CONSENT.																			
<table border="1"> <thead> <tr> <th colspan="2">LINEAR</th> <th colspan="2">ANGULAR</th> </tr> </thead> <tbody> <tr> <td>0 ~ 3</td> <td>±0.2</td> <td>0 ~ 10</td> <td>±1.5°</td> </tr> <tr> <td>3 ~ 6</td> <td>±0.5</td> <td>10 ~ 50</td> <td>±1°</td> </tr> <tr> <td>6 ~ 30</td> <td>±0.8</td> <td>50 ~ 120</td> <td>±30'</td> </tr> <tr> <td>30 ~ 120</td> <td>±1.5</td> <td>120 ~ 400</td> <td>±15'</td> </tr> </tbody> </table>	LINEAR		ANGULAR		0 ~ 3	±0.2	0 ~ 10	±1.5°	3 ~ 6	±0.5	10 ~ 50	±1°	6 ~ 30	±0.8	50 ~ 120	±30'	30 ~ 120	±1.5	120 ~ 400	±15'	APPROVD MODEL 17H249-150-4D-EK25
LINEAR		ANGULAR																			
0 ~ 3	±0.2	0 ~ 10	±1.5°																		
3 ~ 6	±0.5	10 ~ 50	±1°																		
6 ~ 30	±0.8	50 ~ 120	±30'																		
30 ~ 120	±1.5	120 ~ 400	±15'																		
<table border="1"> <thead> <tr> <th>SIZE</th> <th>A4</th> <th>SHEET</th> <th>1 OF 1</th> </tr> </thead> <tbody> <tr> <td>SCALE</td> <td>1:1</td> <td>REV</td> <td>0</td> </tr> </tbody> </table>	SIZE	A4	SHEET	1 OF 1	SCALE	1:1	REV	0													
SIZE	A4	SHEET	1 OF 1																		
SCALE	1:1	REV	0																		