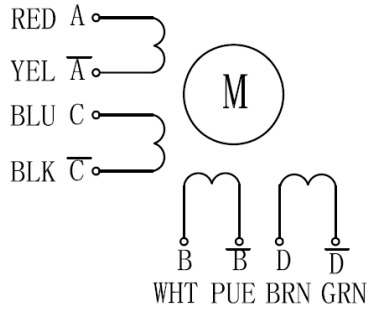


specifications:

MODEL	PHASE	STEP ANGLE	RATED VOLTAGE	CURRENT /PHASE	RESISTANCE /PHASE	INDUCTANCE /PHASE	HOLDING TORQUE	DETENT TORQUE	ROTOR INERTIA	WEIGHT
		DEG/STEP	V	A	ohms	mH	N.cm	N.cm	g.cm ²	g
	2	1.8	3.2	0.7	4.6	6.2	32	2.6	131	370

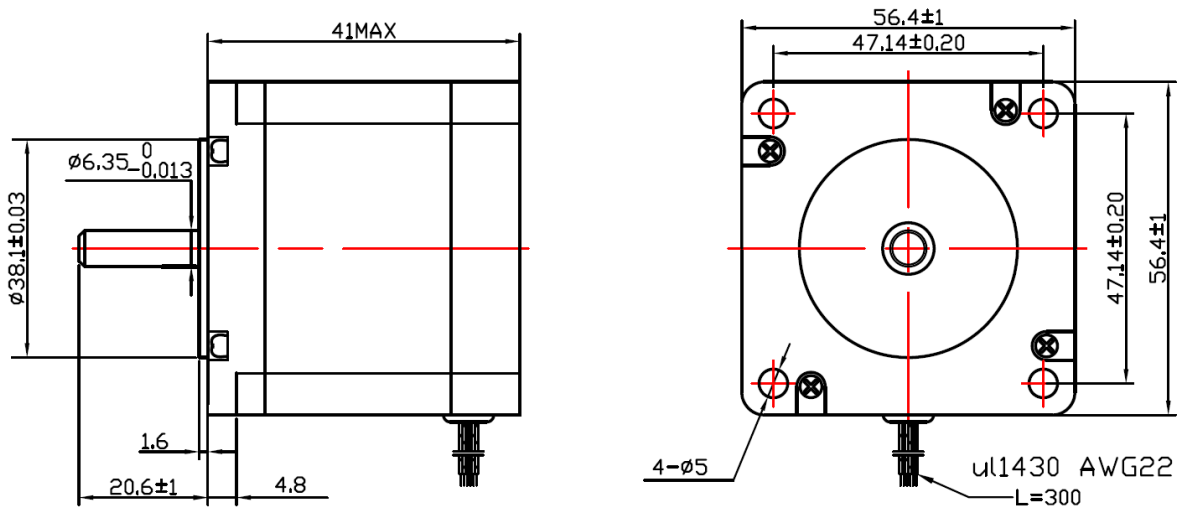
Wiring Diagram:



CW DIRECTION	STEP	A	C	B	D
↓	1	+		+	
	2		+	+	
	3		+		+
	4	+			+
	1	+		+	

CW see from the shaft end

Dimension:



DESIGN	DATE	P/N.	57BYGH419
2007-04-05		TITLE :	SPECIFICATION
CHECK		USED ON :	
APPD		DWG NO.	3.162FXJS
		REV	
UNLESS OTHERWISE SPECIFIED TOLERANCES:	MATERIAL	THIRD ANGLE PROJECTION	
DECIMALS: .x ±0.5		SCALE	
ANGULAR: .xx ±0.25 ±0°30'		SHEET	OF
.xxx ±0.1		Motion Control Products Ltd.	
UNIT: mm		TEL.: +44 (0)1202 599922	
DO NOT SCALE DRAWING			