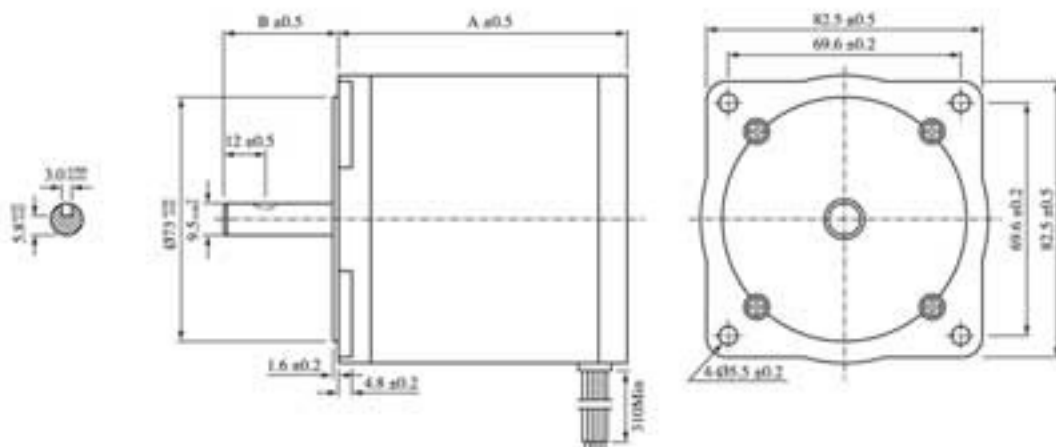


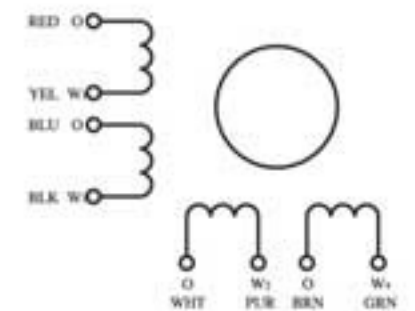
**Ambient Temperature:**.....-25°C ~ +40°C  
**Dielectric Strength:**.....500V AC 100Hz 1 Minute  
**Temperature Rise:**.....85°C Max  
**Insulation Resistance:**.....500V DC 100Ω Min  
**Insulation Class:**.....B  
**End Play:**.....0.1~0.3mm  
**Radial Play:**.....0.025mm Max



Model	No. of Phase	Step Angle	Voltage (V)	Current (A/phase)	Resistance (Ω)	Inductance (mH)	Holding Torque		Detent Torque (Nm)	Rotor Inertia (Kg.m <sup>2</sup> )	Weight (Kg)	Excitation Mode
							Oz-in	(Nm)				
86BYG450A-01	4	1.8°	2.9	1.7	1.7	6	1.67	1.18	0.08	0.64	1.6	2
86BYG450A-03	4	1.8°	1.6	3.6	0.45	2	1.67	1.18	0.08	0.64	1.6	2
86BYG450A-04	4	1.8°	1.4	4.5	0.31	1.3	1.67	1.18	0.08	0.64	1.6	2
86BYG450B-01	4	1.8°	3	4	0.75	3.5	3.05	2.16	0.15	1.3	2.6	2
86BYG450B-02	4	1.8°	2.5	4.6	0.55	2.5	3.05	2.16	0.15	1.3	2.6	2
86BYG450B-03	4	1.8°	4.3	2.5	1.7	9	3.05	2.16	0.15	1.3	2.6	2
86BYG450B-04	4	1.8°	5.4	2	2.7	15	3.05	2.16	0.15	1.3	2.6	2
86BYG450C-01	4	1.8°	2	7	0.29	2	4.16	2.94	0.25	1.9	3.8	2
86BYG450C-02	4	1.8°	4	4	1	6	4.16	2.94	0.25	1.9	3.8	2



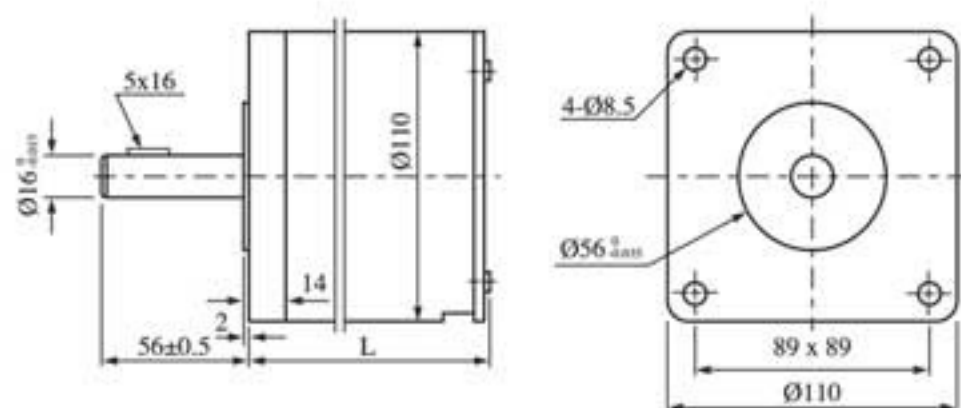
Model	A	B
86BYG450A	62	30.2
86BYG450B	94	31.2
86BYG450C	134	31.6



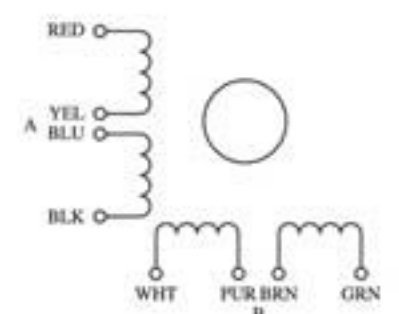
## 1.8° SIZE 42

**Ambient Temperature:**.....-25°C ~ +40°C  
**Dielectric Strength:**.....950V AC 50Hz 1 Minute  
**Step Accuracy:**.....±5.4'  
**Temperature Rise:**.....85°C Max  
**Insulation Resistance:**.....500V DC 100Ω Min  
**Insulation Class:**.....B

Model	No. of Phase	Step Angle	Voltage (V)	Current (A)	Resistance (Ω)	Inductance (mH)	Holding Torque		Detent Torque (N.m)	Rotor Inertia (kg.cm <sup>2</sup> )	Weight (kg)
							Oz-in	(N.m)			
110BYG450	4	0.9°/1.8°	80~200	6	0.22	2.1	10.05	7.1	0.6	7.5	7.5
110BYG450A	4	0.9°/1.8°	80~200	6	0.3	3.2	14.58	10.3	0.9	11.5	11
110BYG450C	4	0.9°/1.8°	80~200	6	0.18	2	6.37	4.5	0.3	3.8	3.8



Model	L
110BYGT450C	130
110BYG450 110BYG550A	192
110BYG450A 110BYG550B 110BYG008	240



All dimensions in millimetres • Drawings not to scale • MCP reserve the right to change specifications