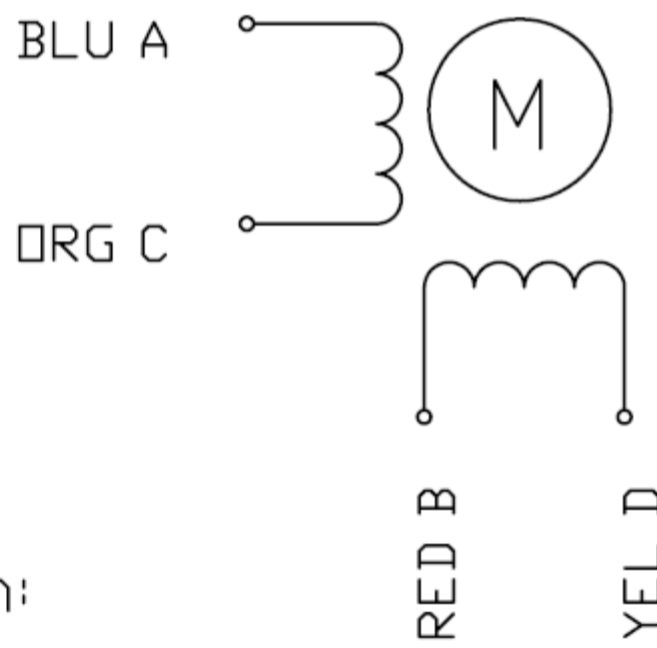


FL39ST26-0664MA HYBRID STEPPING MOTOR

specifications:

STEP ANGLE ACCURACY	STEP ANGLE	RATED VOLTAGE	CURRENT /PHASE	RESISTANCE /PHASE	INDUCTANCE /PHASE	HOLDING TORQUE	Detent Torque	Rotor Inertia	Mass	TEMPERATURE RISE
DEG/STEP	DEG/STEP	V	A	ohms	mH	mN.m	mN.m	g.cm ²	Kg	K
±5%	0.9	6.0	0.64	9.0	13	95	2.8	11	0.15	65

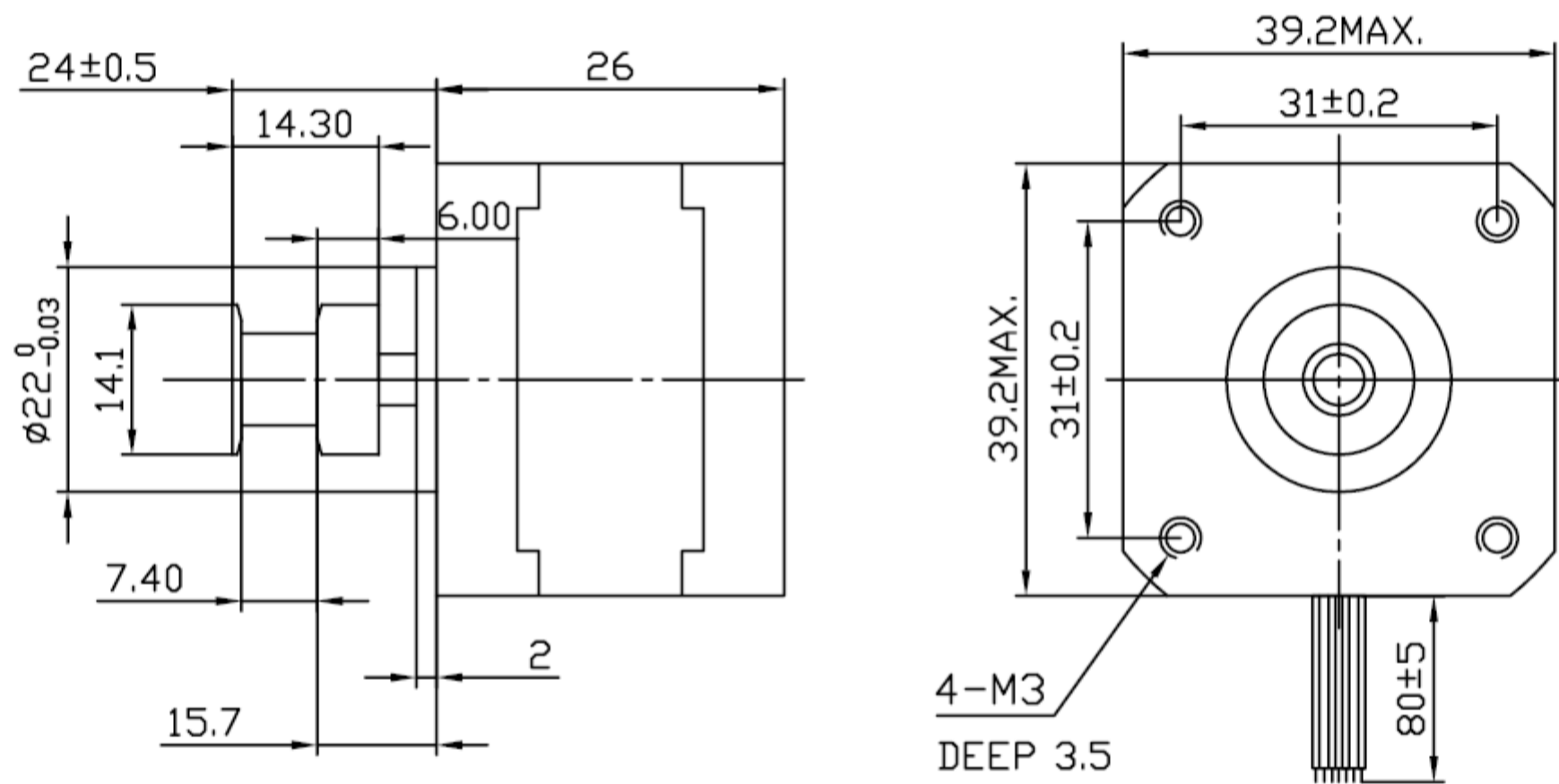
Wiring Diagram:



PULLEY DATA:

PITCH	GT2 (2mm)
TEETH	15
PITCH DIAMETER	9.6mm
OUTSIDE DIAMETER	9.0mm
MATERIAL	ALUMINUM ALLOY
HUB DIA.	14.7mm

Dimension:



REV.	QTY.	NO.	SIG.	DT.	surfacetreat			
DESIGN					TITLE:	CLS.MAK	WEIGHT	SCALE
CHECK					0.9 Degree Stepper Motor			
PROC.					P/No.: FL39ST26-0664MA			
STD.					Motion Control Products Ltd.	PAGE:	OF	PAGES
APPROVE					Tel.: 01202 599922 www.motioncontrolproducts.com	08.09.2005		