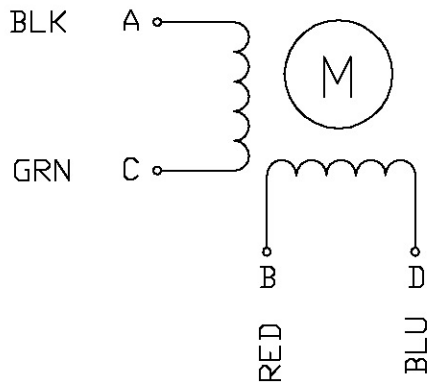


HYBRID STEPPER MOTOR FL42STH38-1204AF-02

specifications:

	STEP ANGLE	RATED VOLTAGE	CURRENT /PHASE	RESISTANCE /PHASE	INDUCTANCE /PHASE	HOLDING TORQUE	ROTOR INERTIA	WEIGHT
	DEG/STEP	V	A	ohms	mH	g.cm	g.cm ²	Kg
	1.8	3.96	1.2	3.3	7.2	3670	54	0.28

Wiring Diagram:

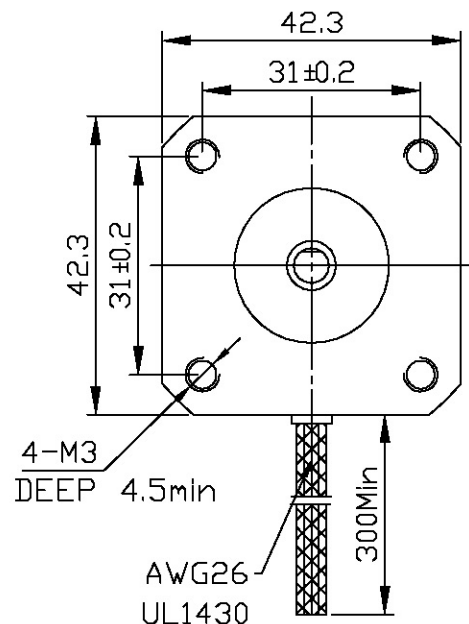
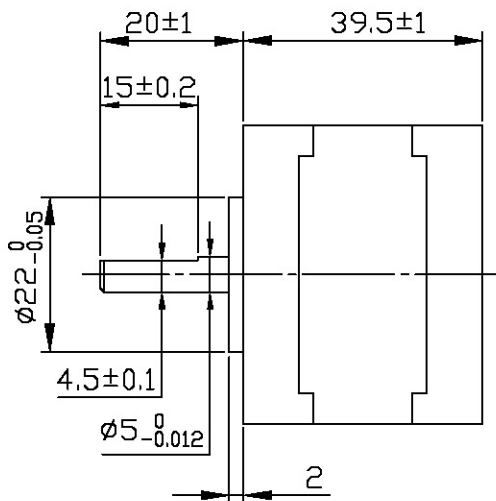


Rotation:

CW DIRECTION	STEP	A	C	B	D
↓	1	+		+	
	2		+	+	
	3		+		+
	4	+			+
	1	+		+	

CW direction, see from the shaft end

Dimension:



DESIGN	DATE	P/N.
CHECK	25/02/09	TITLE
APPD		SPECIFICATIONS
SCALE		USED ON
SHEET	OF	FL42STH38-1204AF-02
		DWG NO.
		FX3.162. SS
		REV
		Motion Control Products Ltd.
		Tel.: 01202 599922

UNLESS OTHERWISE SPECIFIED TOLERANCES:
 DECIMALS: .x ±0.5
 .xx ±0.25
 .xxx ±0.1
 UNIT: mm
 DO NOT SCALE DRAWING

MATERIAL
 THIRD ANGLE PROJECTION