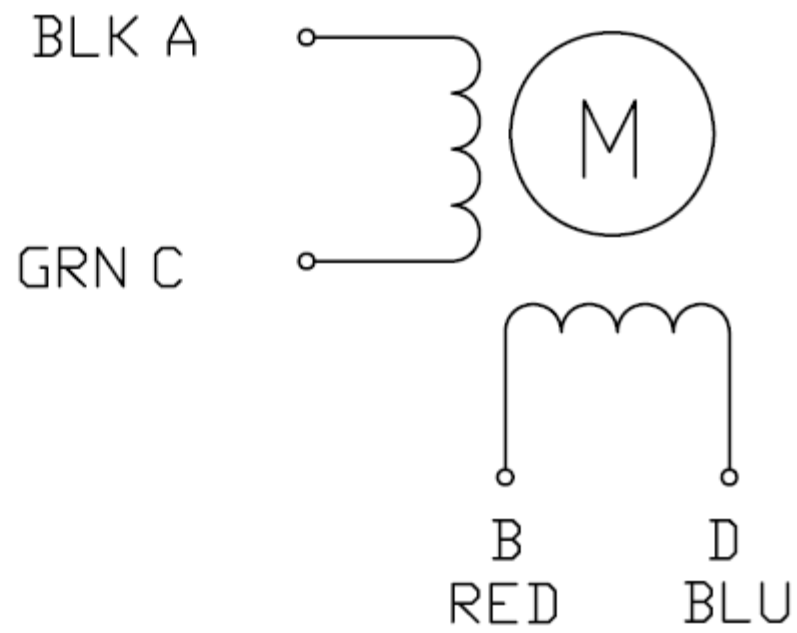


specifications:

MODEL	PHASE	STEP ANGLE	RATED VOLTAGE	CURRENT /PHASE	RESISTANCE /PHASE	INDUCTANCE /PHASE	HOLDING TORQUE	ROTOR INERTIA	WEIGHT
		DEG/STEP	V	A	ohms	mH	kg.cm	g.cm ²	Kg
	2	1.8	3.2	1.68	1.9	2.8	4.4	68	0.35

Wiring Diagram:

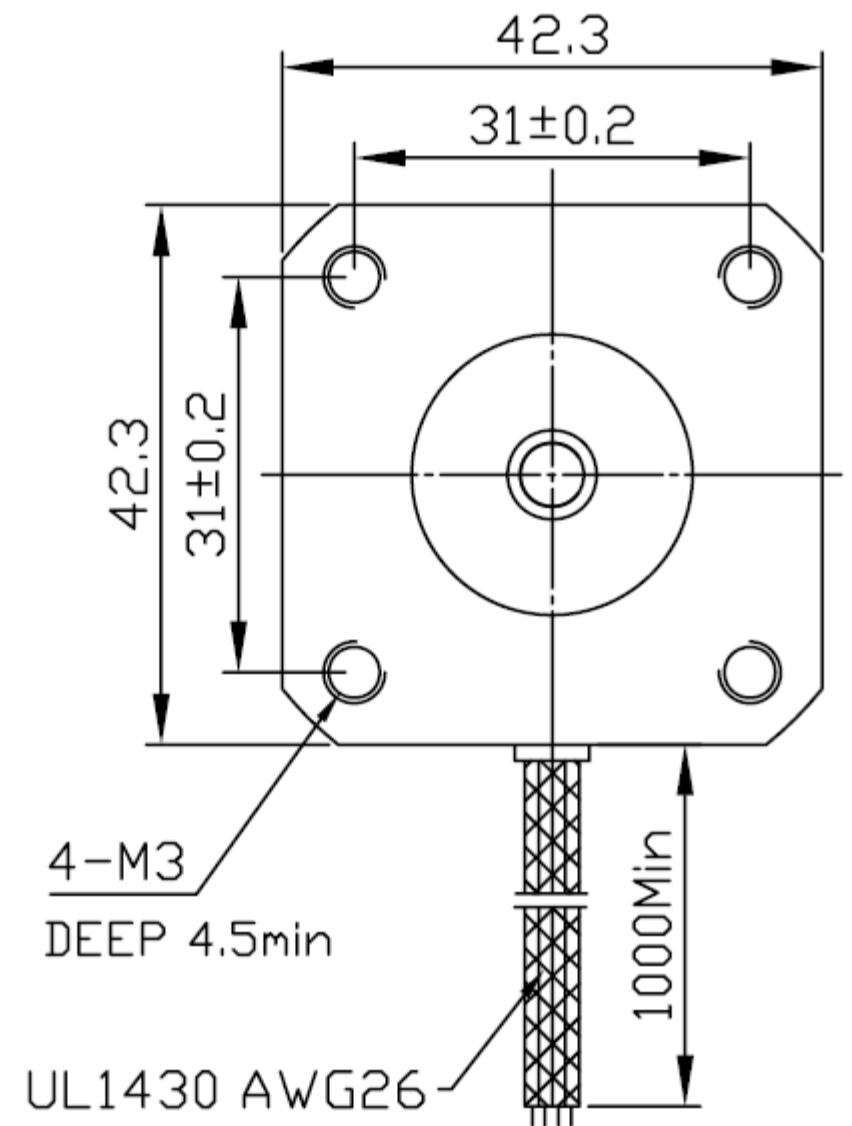
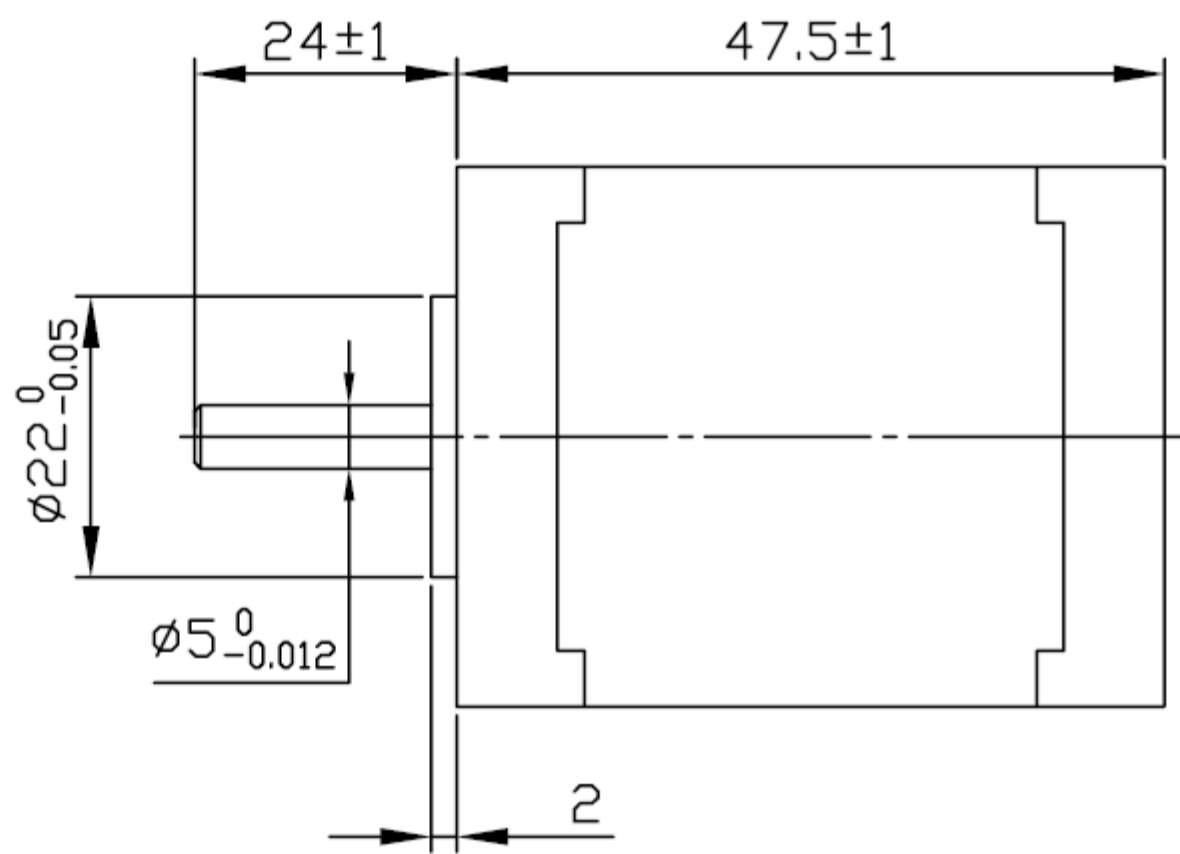


Rotation:

CW DIRECTION	STEP	A	C	B	D
↓	1	+		+	
	2		+	+	
	3		+		+
	4	+			+
	1	+		+	

CW direction, see from the shaft end

Dimension:



Notes:

Two washers in the rear end cap

A	081203W03	UL1007 UL1430	LM	081203	DESIGN	DATE	P/N.
REV	ECN NO.	DESCRIPTION	DRN	APP'D	DATE	14.12.2011	TITLE
UNLESS OTHERWISE SPECIFIED TOLERANCES:		MATERIAL		CHECK		SPECIFICATIONS	
DECIMALS: .x ±0.5		ANGULAR: ±0°30'		APPD		USED ON	
.xx ±0.25						FL42STH47-1684A-01	
.xxx ±0.1		THIRD ANGLE PROJECTION		SCALE		DWG NO.	
UNIT: mm				SHEET		REV	
DO NOT SCALE DRAWING				OF		3.162.281 SS A	
						Motion Control Products Ltd.	
						Tel.: 01202 599922	