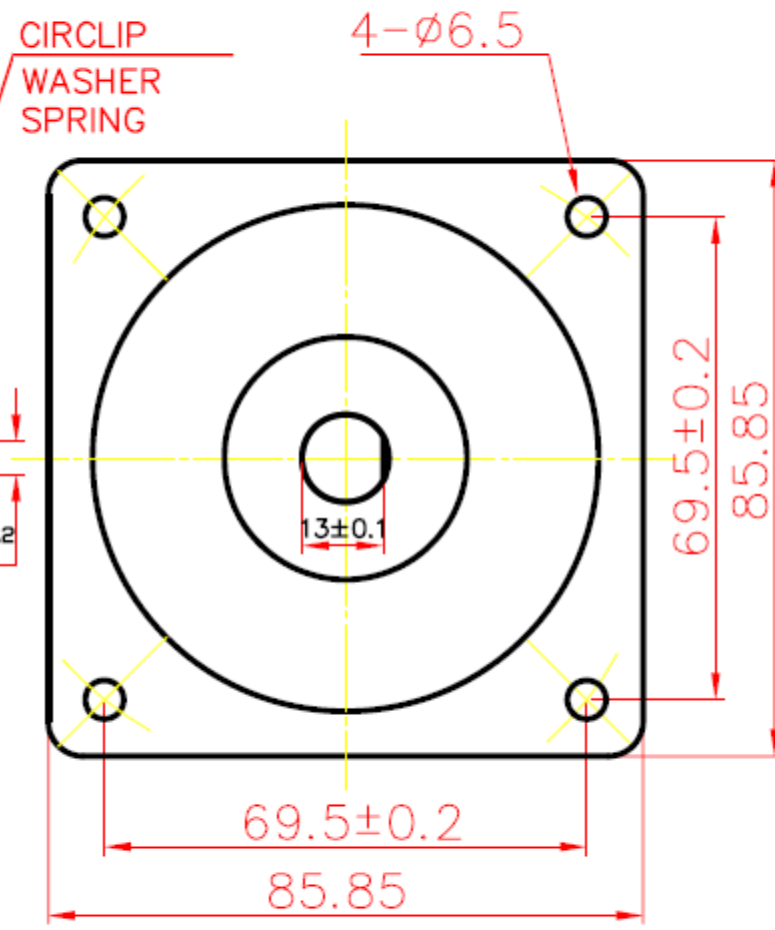
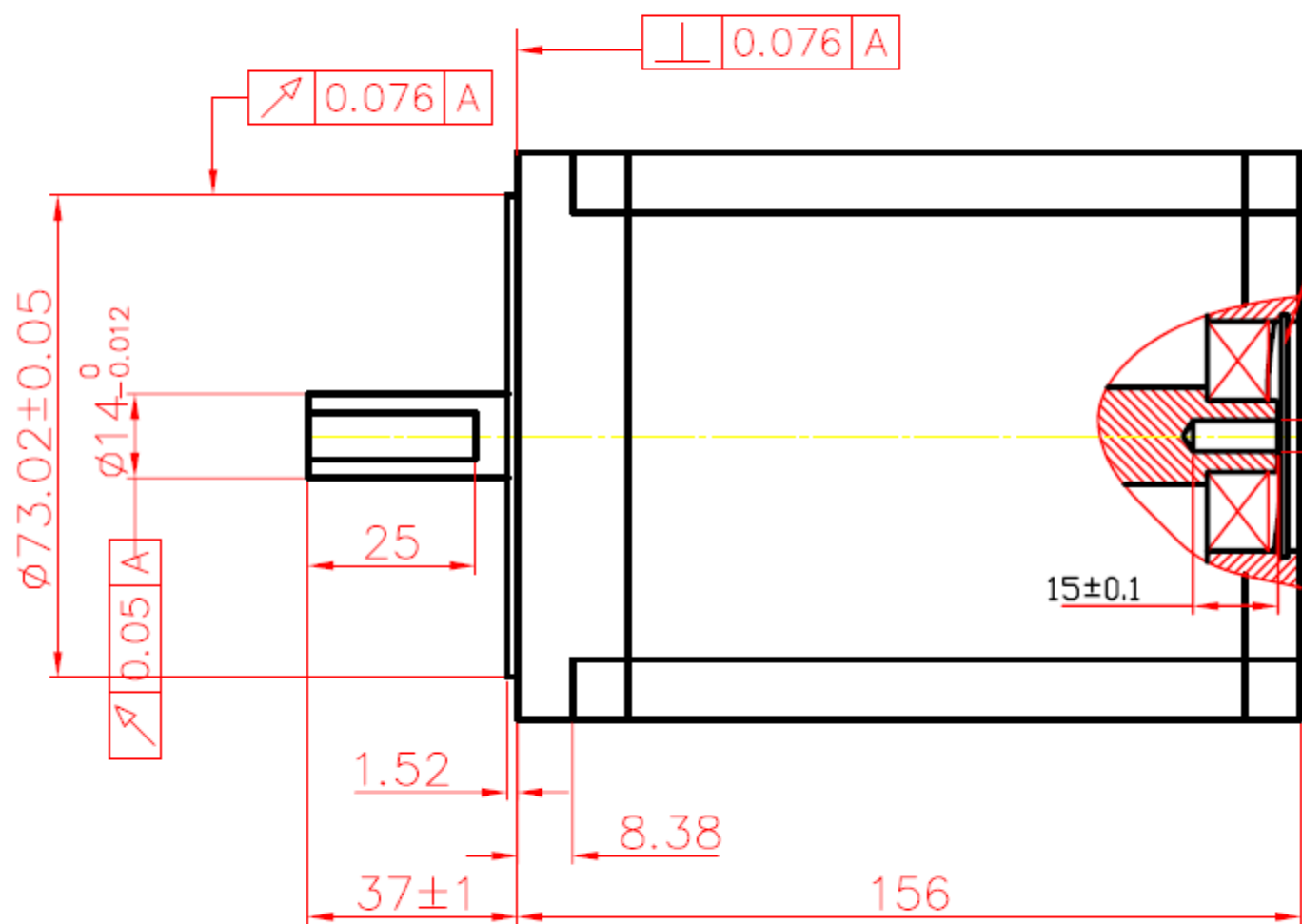
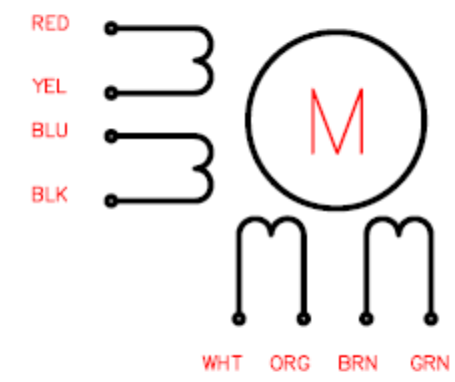


Dimension:



Wiring Diagram:



1430 - AWG20 1000mm Min.

Specifications:

PHASE	STEP ANGLE	CONNECTION STYLE	CURRENT	RESISTANCE	INDUCTANCE	HOLDING TORQUE	ROTOR INERTIA	WEIGHT
	DEG/STEP		A	ohms	mH	N.m	gcm ²	Kg
4	1.8	parallel	6	0.73	8.68	12	4000	5.3
		series	3	2.92	34.7			
		unipolar	4.2	1.46	8.68	8.4		

A	21/03/08	changed wire to UL1430 from UL1007	DESIGN	DATE	P/N.
REVISION NO	DESCRIPTION	DRN	APP'D	DATE	TITLE
UNLESS OTHERWISE SPECIFIED TOLERANCES:			CHECK	16/06/11	SPECIFICATIONS
MATERIAL			APPD		USED ON
DECIMALS: .x ±0.5			SCALE		FL86STH156-4208A-H-1
ANGULAR: ±0°30'			SHEET	OF	DWG NO. 3.162. SS
UNIT: mm			THIRD ANGLE PROJECTION		REV
DO NOT SCALE DRAWING					MCP Ltd