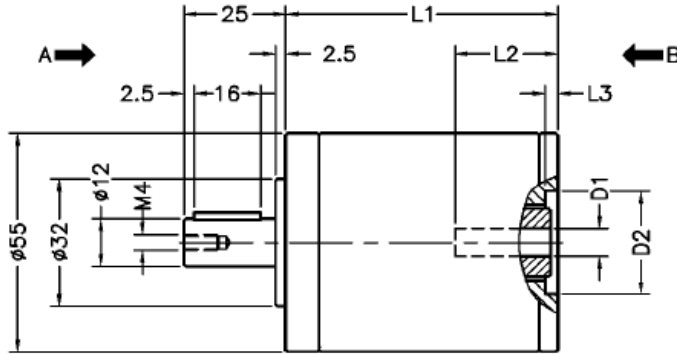
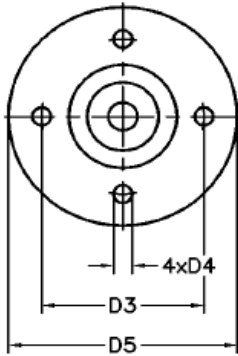


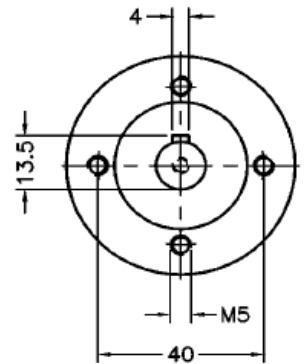


RE55 PLANETARY GEARBOX

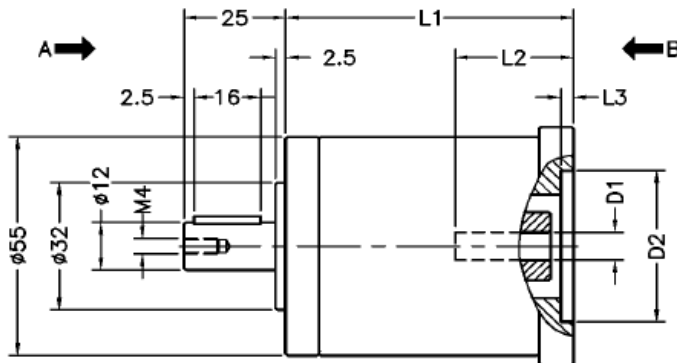
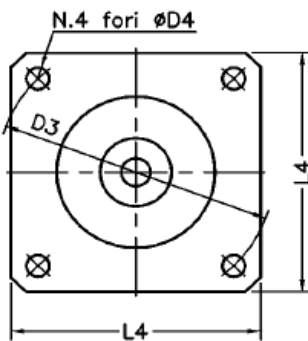
Vista -B-
Flangia di ingresso



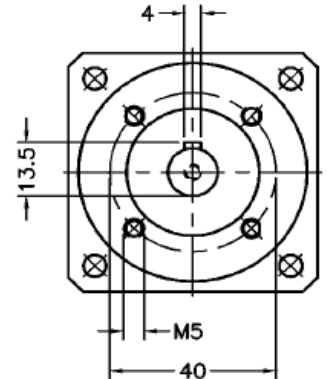
Vista -A-
Flangia di uscita



Vista -B-
Flangia di ingresso



Vista -A-
Flangia di uscita



Input shaft dimensions

D1	6	6.35	7	8	9	11	14			
L2	25	25	25	25	25	25	30			

Gear Dimensions

Flange Type	Flange Code	L3	L4	D2	D3	D4	D5	D1xL2 max	L1		
									1 Stage	2 Stages	3 Stages
Standard	F01	3	-	25/26	39	4.5	55	*	52	67	82
30-46	F15	3	-	30	46	4.5	55	9x25	71	86	101
40-63	F16	3	55	40	63	4.5	-	11x25	73	88	103
50-60 T	F36	3	-	50	60/64	M4/4.5	75	*	57	72	88
56 B14	F06	3	60	50	65	5.5	-	11x25	71	86	101
50-70	F17	3	60	50	70	M5/5.5	-	14x30	76	91	106
63 B14	F40	3	70	60	75	5.5	-	11x25	71	86	101
NEMA 23	F02	3	60	38.1	66.67	5.5	-	11x25	71	86	101
NEMA 34	F04	3	90	73	98.4	5.5	-	11x30	71	92	107

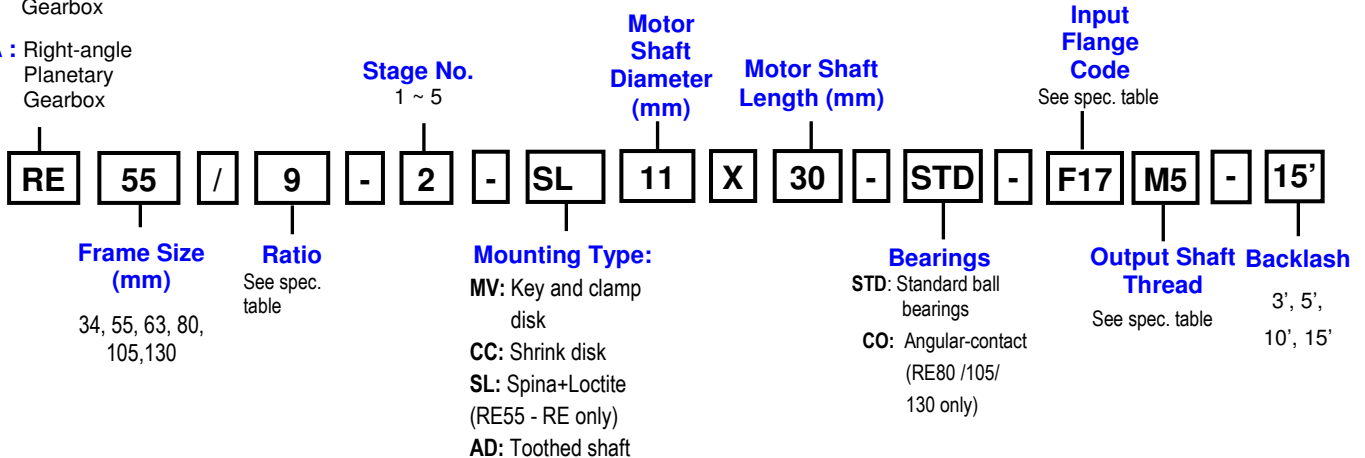
Technical Specifications

Stage Number	Ratios	Rated torque	Starting torque	Efficiency	Rated input speed	Max. input speed	Backlash output shaft	weight		
	i	Mn2 Nm	Ma2 Nm	Dd %	n1 rpm	nm1 rpm	Arcmin	Kg		
1	3	18	35	95	3000	4000	≤5 ≤10 ≤15	0.6		
	4	35	55		3000	5000				
	5	25	30		3000	5000				
	6	30	35		3000	5000				
2	9	18	35	94	3000	5000		≤5 ≤10 ≤15	0.75	
	12	20	35		3000	5000				
	16	35	55		3000	5000				
	20	35	55		3000	5000				
	24	35	55		3000	5000				
	30	25	30		3000	5000				
3	36	30	38	90	3000	5000			≤5 ≤10 ≤15	0.9
	48	25	50		3000	5000				
	64	45	60		3000	5000				
	80	45	60		3000	5000				
	120	50	60		3000	5000				
	150	30	45		3000	5000				
	180	33	45		3000	5000				
216	36	50	3000	5000						

Part Number Configuration

RE : Planetary Gearbox

RA : Right-angle Planetary Gearbox



**If you are not sure which model you should go with, please contact our technical sales for advice before placing your order.