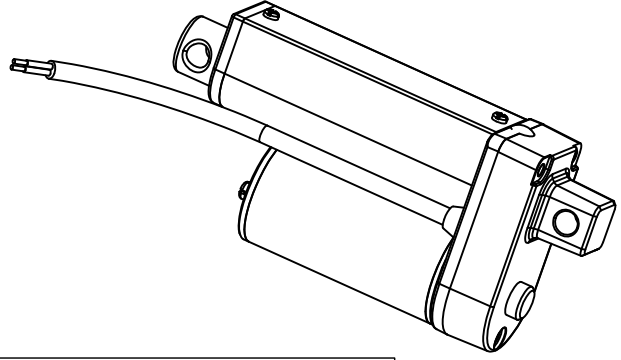
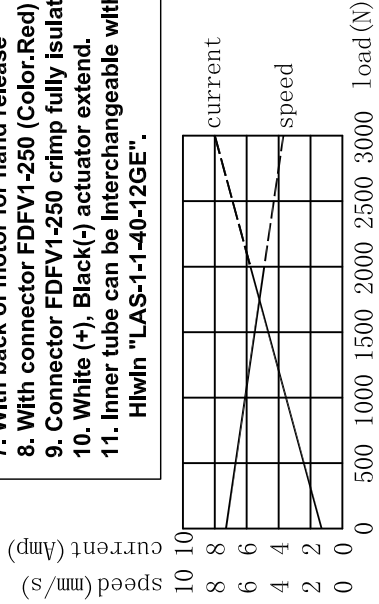


SPECIFICATIONS:

1. Input power: 12V DC
2. Speed = 7.3 ± 1 mm/s (Max.)
3. Push Force: 2000N Max.
(units will be tested during production to ensure that 2000N force is achieved)
4. Power cable length = 4.5M
5. Wires with spade terminal.
6. Motor cable outlet: from top cover (as shown)
7. With back of motor for hand release
8. With connector FDFV1-250 (Color:Red)
9. Connector FDFV1-250 crimp fully insulated.
10. White (+), Black(-) actuator extend.
11. Inner tube can be interchangeable with Hwln "LAS-1-140-12GE".



Based on the drawing of GD for order MO9379:

1. inner tube: Ø19 (old : Ø20)
2. new manual wind-off nut.
3. rotor of motor: 35mm (old: 40mm)

Customer		Customer Confirmation:		Tolerance	Dimension/mm/inch
LINEAR ACTUATOR				X ±0.2	PAGE 1 OF 1
Model	GD23-12-E-150/190-02R	Revision	R1	X.X ±0.1	View Angle
Design		Scale	1 : 1	X.XX ±0.05	
Review					
Approve		MOTION CONTROL PRODUCTS LTD.			