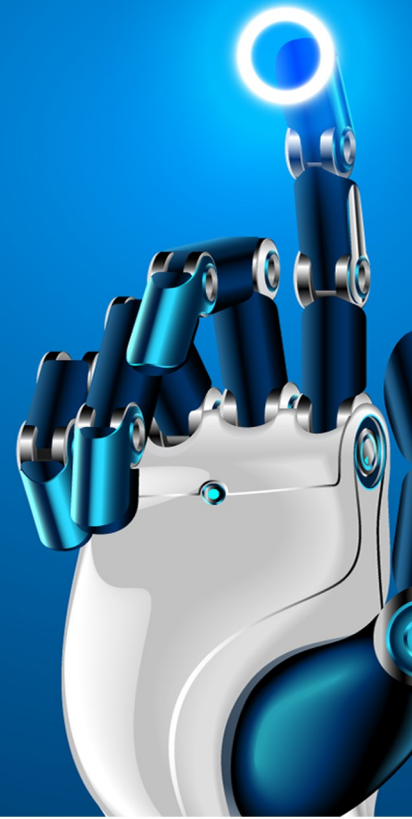




EVEREST XCR

ROBOTICS SERVO DRIVE



Powering the next generation of robotics
through disruptive innovation

Everest is an ultra-compact, super smart, high-powered servo drive. Due to its small size and rugged design it can be mounted virtually anywhere: collaborative robot joints, wearable robots, unmanned ground or aerial vehicles as well as inside motors. Everest also features the most advanced transistor technology in the world with the highest power density and efficiency while keeping negligible EMI and providing linear amplifier performance.

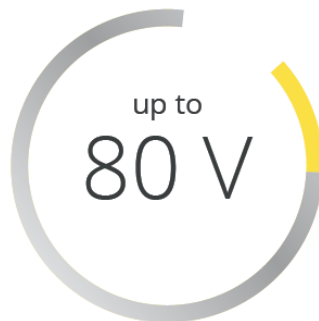
Weight: **30g**

Size (mm) **29 X 42 X 23**

Power up to **5kW**



World's highest power density smart servo drive



Wide voltage range for DC bus or battery operation



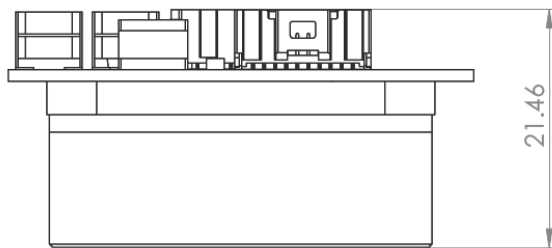
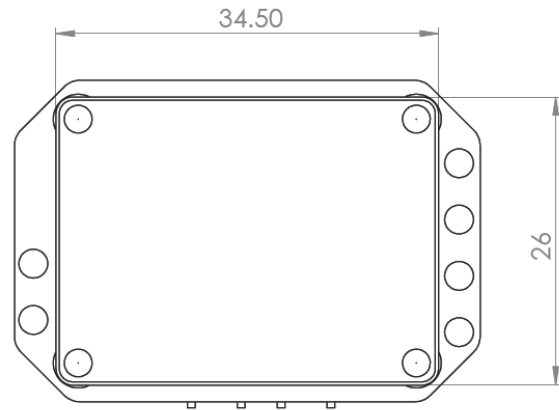
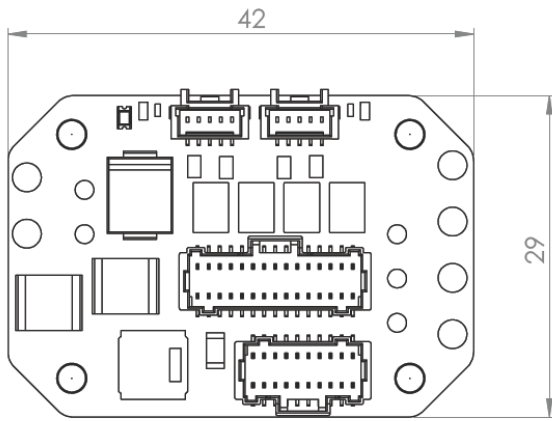
Low channel resistance for highest efficiency

EVEREST

MOST VERSATILE SERVO DRIVE IN ITS CLASS

Everest is built on a shielded body construction which provides best-in-class heat dissipation and **ultra-low radiated emissions** and is packed with a whole lot of features for the most demanding applications.

Dimensions (mm)



Features

Absolute Serial BiSS-C SSI

Incremental Digital Hall Digital Encoder

Servo Loops Torque 50 kHz > Velocity 25 kHz > Position 25 kHz

Switching Frequency 10 kHz Configurable up to 100 kHz

Safety STO SIL 3 PLe

Network EtherCAT CANopen

Environment -40 °C up to 110 °C

Current Resolution 0.42 mA 16 bit with automatic gain scheduling 2.67 mA

IO 4x Digital Outputs 4x Digital Inputs Motor Temperature

